



SIMPLICITY™ PREMIUM SLED & SPLED SERIES

Premium Die-Cast Aluminum and Laser-Etched Acrylic Edge-Lit Exit Sign

FEATURES

Construction

- Housing, trim plate, trim ring and canopy made of die-cast aluminum
- U-shaped clear acrylic Legend panel features laser-etched letters and chevrons
- Choice of 6 inch or 8 inch EXIT lettering legend, available in Red or Green

Mounting

- Modular design allows for Surface or Recessed Mount
- Single face model includes (1) legend panel, (1) housing, (1) trim ring, (1) trim plate, (1) canopy and 27 inch adjustable bar hangers
- Double face model includes (1) legend panel (with EXIT etched on each side), (1) housing, (1) trim ring, (1) trim plate, (1) canopy and 27 inch adjustable bar hangers and (1) canopy
- Canopy included for surface wall, end or ceiling mount applications
- Trim ring included for recessed wall or ceiling mount applications.
- Housing provided with conduit knock-out 1/2", top, back and end.
- (D) dome or (P) pyramid trim plate used for surface or recessed wall or ceiling mount applications
- (Z) flat trim plate used for recessed ceiling mount only applications

Finishes

- Choice of finishes: white, black or brushed aluminum, custom colors available.
- Choice of Legend panel colors: red on clear (single face only), red on white, red on mirror, green on clear (single face only), green on white or green on mirror

Chevrons

- Laser-etched as specified
- UA option includes, (4) field installed stick-on translucent chevrons, (2) for single face, (4) for double face

LEDS

- Red or Green Long-Life Light Emitting Diodes (LED) illumination
- Optional White LEDs for custom special wording panels available

Self-Diagnostics

- Self-Powered models available with or without Improved Diagnostics
- NEXUS® Wired system compatible

Special Wording Panels

- Available. Contact your sales representative with your design requirements

Approvals

- Listed to UL 924 Standards
- Meets NFPA101 (Life Safety Code), NFPA 70 NEC, OSHA illumination standards

Warranty

- Five Year full warranty (subject to proper installation and maintenance)

ACCESSORIES

(Order as a separate item)

Pendant, White	PW-*
Pendant, Black	PB-*
Pendant, Gray	PA-*

*Specify pendant length (12", 24", 36", etc).

BACKBOX

(Order as a separate item)

Backbox kit white	BBKTS-WT-L
Backbox kit black	BBKTS-BK-L
Backbox kit brushed aluminum	BBKTS-BA-L
Backbox kit chrome	BBKTS-CH-L
Backbox kit dark bronze	BBKTS-DB-L
Backbox kit polished brass	BBKTS-PB-L
Backbox kit flat trim	BBKTR-L

SPECIFICATIONS

Supply and Install Lightalarms® Simplicity™ Premium SLED, SPLED Series.

The Exit Sign specified with (D) dome or (P) pyramid trim plate, single face shall be standard with (1) legend panel, (1) housing, (1) trim ring, (1) trim plate, (1) canopy and 27 inch adjustable bar hangers and specified as double face shall be standard with (1) legend panel (with EXIT etched on each side), (1) housing, (1) trim ring, (1) trim plate, (1) canopy and 27 inch adjustable bar hangers.

The Exit Sign specified with (Z) flat trim plate, recessed ceiling mount only, single face shall be standard with (1) legend panel, (1) backbox, (1) flat trim plate, and 27 inch adjustable bar and specified as double face shall be standard with (1) legend panel (with EXIT etched on each side), (1) backbox, (1) flat trim plate and 27 inch adjustable bar hangers. (D) dome or (P) pyramid trim plate models housing, trim ring, trim plate and canopy shall be made of die-cast aluminum. (Z) flat trim plate models backbox shall be made of 20 gauge steel and flat trim of die cast aluminum. Housing, trim ring, trim plate and canopy shall be in color, (W) white, (B) black or (A) brushed aluminum. Legend panel colors shall be, (RC) red on clear, (RW) red on white, (RM) red on mirror, (GC) green on clear (GW) green on white or (GM) green on mirror. The unit shall have the trim plate snap and lock in the housing with torsion spring retainers, thereby eliminating any visible screws or hardware. The legend panel shall be clear acrylic, U-shape and the letters and chevrons engraved by laser as specified. The (D) dome or (P) pyramid trim plate model Exit Sign shall be suitable for surface mount, wall, end or ceiling as well as recessed mount wall or ceiling applications. The (Z) flat trim plate recessed mount single face or double face shall be suitable for recessed ceiling installations only. The illumination source shall be Light Emitting Diodes (LED) in (R) red or (G) green color. The LEDs shall provide illumination in normal and emergency operation mode. The LEDs shall be mounted inside the Exit Sign housing on a PCB strip. A color matching LED sensitive EXIT legend silkscreened in (R) red or (G) green, then outlined laser etched, provides the 6" or 8" high by 3/4" stroke EXIT letters with even illumination and no visible LEDs or hot spots. AC-Only models shall be 120–277VAC, 60Hz, with a power consumption of less than 1.4W. AC/DC models shall be 120–277VAC, 60Hz, with a power consumption of less than 1.4W and allows for DC operation from 6VDC to 24VDC, drawing less than 1.4W. Self-Powered models shall be 120–277VAC, 60Hz, with a power consumption of less than 2.3W and supplied with a sealed maintenance-free Nickel-Cadmium battery, providing at least 90 minutes illumination upon AC failure. When specified, the Self-Powered Exit Sign with Improved Diagnostics shall include a self-test and silent diagnostic function, managed by a micro-controller; it shall execute automatic tests for one minute every 30 days, 30 minutes every 60 days and 90 minutes annually. A diagnostic circuit shall continuously monitor the performance of the battery, charger module and LED lamps. When a fault is detected the pilot light shall change color from green to red and flash with a specific code. The red light is steady-on in case of a battery disconnect; it will flash with one blink for battery failure; two blinks for charger failure and four blinks for LED lamp failure. A label with the diagnostic legend shall be visible next to the pilot light. The Exit Sign shall be tested by the Underwriters Laboratories and listed to UL 924 standards. Meets NFPA101 (Life Safety Code), NFPA 70-NEC and OSHA illumination standards. Includes a five-year full warranty.

The Exit Sign shall be Lightalarms® Model _____.

CHEVRON DESIGNATION



Chevron Right (R) Single Face



Chevron Left (L) Single Face



Single Face, Double Chevron (1D)
Double Face, Double Chevron (2D)



Double Face, Single Chevron (RL)
Represents each side of a double face panel.

* Wording and chevrons not to scale. For illustration purposes only.

TYPE _____
 CATALOG # _____

 NOTES _____

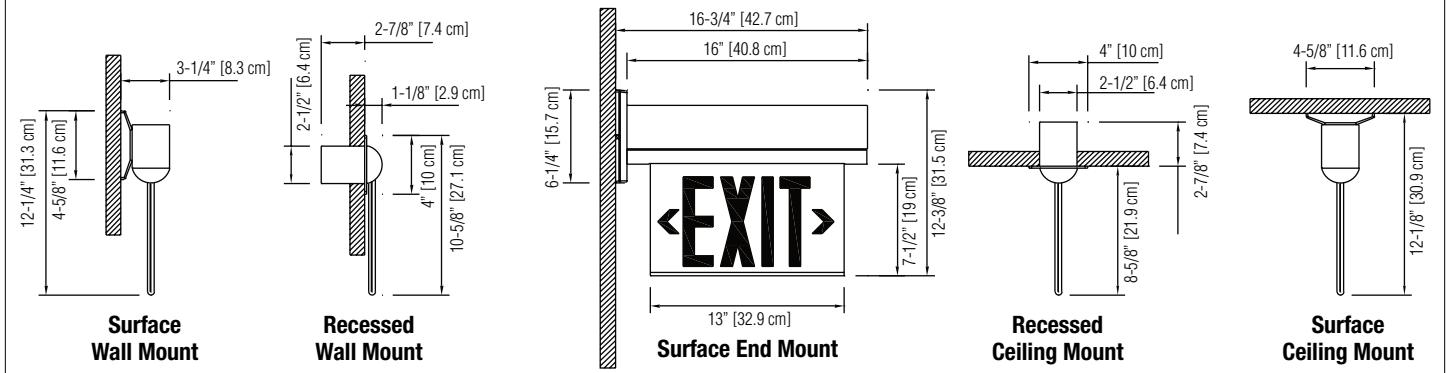
The Simplicity™ Premium Series combines a clean, modular design with state-of-the-art technology, ease of installation for surface or recessed mount applications and options to meet the most prestigious interiors



DIMENSIONS

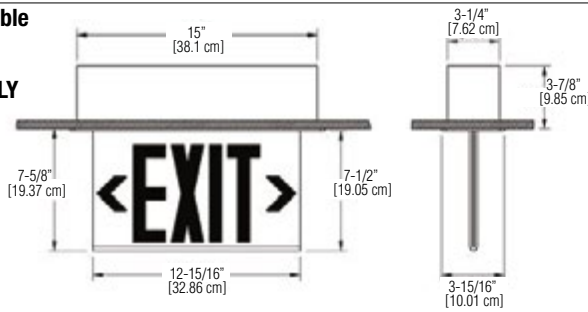
Dimensions are approximate and subject to change.

Mounting applications available with Dome (D) and Pyramid (P) trim plates

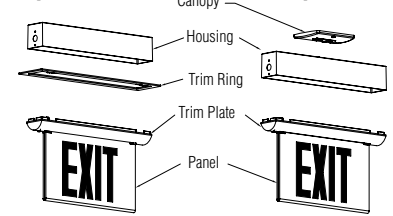


Mounting application available with Flat (Z) trim plate

Recessed Ceiling Mount ONLY



For Recessed Mount, use these components



POWER CONSUMPTION CHART

MODEL	AC SPECS		DC SPECS	
AC-Only	120-277VAC, 60Hz	Less than 1.4W	-	-
AC/DC	120-277VAC, 60Hz	Less than 1.4W	6 to 24VDC	Less than 1.4W
Self-Powered	120-277VAC, 60Hz	Less than 2.3W	Ni-Cd battery	Min. 90 minutes
Self-Powered diagnostic	120-277VAC, 60Hz	Less than 2.3W	Ni-Cd battery	Min. 90 minutes



Flat Trim



Dome Trim Plate



Pyramid Trim Plate

ORDERING FORMAT

LEGEND	SERIES	HOUSING COLOR	LEGEND COLOR	PANEL BACKGROUND COLOR	TRIM PLATE	CHEVRON	OPTIONS
Blank= 6" EXIT legend 8= 8" EXIT legend	SLEDN= AC-Only SPLEDN= Self-Powered	A= Brushed Aluminum W= White B= Black DB= Dark Bronze (painted) PB= Polished Brass CH= Polished Chrome	R= Red G= Green	C= Clear (single face only) W= White (single or double face) M= Mirror (single or double face)	D= Dome P= Pyramid Z= Flat Trim	Blank= No Chevron (single face sign) 2= No Chevron (double face sign) L= Left Chevron (on a single face sign) R= Right Chevron (on a single face sign) RL= Left & Right Chevron (double face sign, one chevron on each side) 1D= Double Chevron (on single face) 2D= Double Chevron (double face sign, two chevrons on each side) UA= (2 Qty) for single & (4 Qty) for doubles Universal field stick on chevrons per face	Blank= No option -X= Less back box shipped separate -LP= Panel shipped separately -FAF= Fire Alarm Flasher (SP Only) -FB= Flasher & Buzzer (SP Only) -ID= Self-test and diagnostic (SP Only) -Y= Two circuits (AC Only) -DC= AC/DC model 6 to 24VDC NEX= NEXUS® Wired ¹ NEXRF= NEXUS® Wireless ¹

EXAMPLE: SPLEDNARWDL