

## Grande™ Series

Thermoplastic housing 6V up to 60W & 12V up to 72W capacities



### Housing

- White or Black UV stabilized thermoplastic enclosure
- Clear polycarbonate lens covers
- Choice of MR16 LED lamp wattages

### Mounting

- Wall Mount, Ceiling Mount and pendant mount (optional)
- Universal J-Box mounting

### Electronics

- Pulse plus charger
- Low voltage disconnect
- Automatic brownout protection
- Battery lock-out
- Fused output circuit
- Optional: Improved Diagnostics
- Optional: Nexus® monitoring system
- 120/277 60Hz

### Photometric performance

Lamp	Spacing center-to-center (feet)	
	7 feet mounting height	15 feet mounting height
LD1	39'	34'
LD7	49'	39'
LD9	68'	54'
LD10	89'	80'

See lamps next page

### Grande™ Thermoplastic Family



Grande™ Exit series  
PG. 34-35

Grande™  
Combo series  
PG. 36-37

Grande™ Compact  
Battery series  
PG. 80-81

ELF640 &  
ELF650 Remote  
series PG.  
126-127

### Choice of Battery

- 6V or 12 V Lead-calcium battery
- 6V or 12V Nickel-cadmium battery

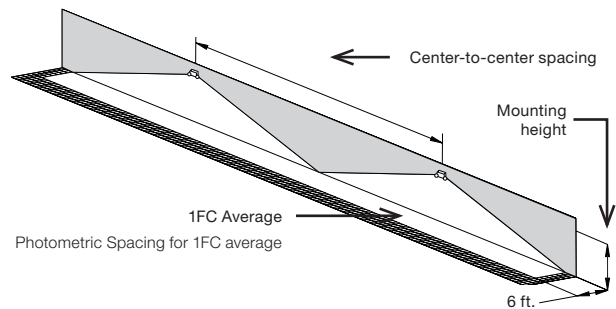
### Approvals

- UL 924 Listed
- UL 94, 5VA flame rated Thermoplastic housing
- Damp location listed 50°F to 104°F (10°C to 40°C)

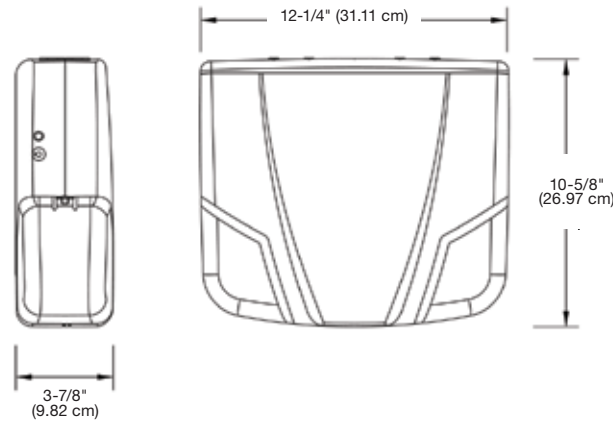
### Warranty (subject to proper installation and maintenance)

Unit: five-year full warranty

Detailed warranty terms located on [page 182](#) or online at: [www.lightalarms.com](http://www.lightalarms.com)



**Dimensions** (Dimensions are approximate and subject to change)



**Accessories** (Order as a separate item)

Description	Product code
Wire guard (Wall mount)	WG1-L
Wire guard (ceiling mount)	WG5-L

**Power consumption chart**

Series	Battery	Voltage	DC Specs				AC Specs	
			Battery capacity (in watts)				Units dual voltage <sup>1</sup>	Current Maximum
			90 Mins	2 Hrs	3 Hrs	4 Hrs		
GRA6	Lead-Calcium	6V	60	40	30	20	120VAC 277VAC	0.25A 0.12A
GR12A4		12V	40	30	20	15		
GR12A7		12V	72	54	36	27		
GRN2	Nickel-Cadmium	6V	20	15	10	8	120VAC 277VAC	0.2A 0.1A
GR12N4		12V	40	30	20	15		

<sup>1</sup> All units 120/277 dual voltage, information based on wiring to specific voltage type

**Ordering format**

Number of heads	Series/Capacity	Lamp type <sup>2</sup>	Housing color	Diagnostic	Options
<b>Blank</b> = No heads	<b>Lead-Calcium battery</b>	<b>MR16 LED Lamp</b>	<b>M</b> = Mist white	<b>Blank</b> = Standard	<b>Blank</b> = No Options
<b>2</b> = Two heads	<b>GRA6</b> = 6V-60W <sup>1</sup>	<b>LD1</b> = 6V-4W	<b>B</b> = Black	<b>-ID</b> = Improved	<b>-CM</b> = Ceiling mount
	<b>GR12A4</b> = 12V-40W	<b>LD7</b> = 12V-4W		Diagnostics (audible)	<b>-DL</b> = Damp location <sup>4</sup>
	<b>GR12A7</b> = 12V-72W	<b>LD9</b> = 12V-5W		<b>-IDNA</b> = Improved	[50°F -104°F (10°C - 40°C)]
	<b>Nickel-Cadmium battery</b>	<b>LD10</b> = 12V-6W		Diagnostics (non audible)	<b>-PM</b> = Pendant mount
	<b>GRN2</b> = 6V-20W			<b>-NEX</b> = Nexus® wired	<b>-T3</b> = Time delay (15 minute)
	<b>GR12N4</b> = 12V-40W			compatible (consult your sales representative)	<b>-3CP</b> = 120V Cord & plug, 3 wire, 3ft long <sup>3</sup>
				<b>-NEXRF</b> = Nexus® wireless compatible (consult your sales representative)	<b>-3CP277</b> = 277V Cord & plug, 3 wire, 3ft long <sup>3</sup>
					<b>-240/50</b> = 240V, 50Hz

**Example: 2GRA6LD1M**

<sup>1</sup> Not available with damp location

<sup>2</sup> Minimum lamp load required: 20% of capacity

<sup>3</sup> -3CP & -3CP277 custom lengths available . Consult your sales representative

<sup>4</sup> Not available with -NEX & -NEXRF option or GR12N50 & GRN25 models