

Available Mounted on:

- TBR Series • RD Series • S12E Series • MG & MN Series
- PG & P12G Series • PN & P12N Series • PQ & P12Q Series



REMOTE HEAD & UNIT HEAD ELF623 SERIES

Thermoplastic Square Lamp Head



TYPE _____

CATALOG # _____

NOTES _____

FEATURES

Description

- Indoor use
- Available as a single, or double square lighting head
- Thermoplastic construction
- Fully adjustable tool-less aiming swivel
- Specular parabolic reflector and prismatic lens for wide-beam, even light distribution
- Snap-out lens for easy lamp replacement.

Finish

- Mist white or black

Mounting

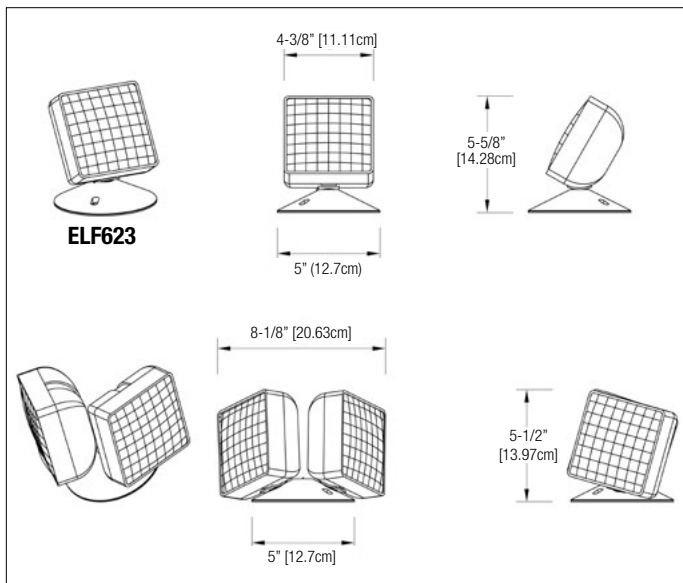
- Surface Mount
- Includes a 5" round universal canopy plate with 3 knockouts (supplied with 2 plugs) for use with single or double head mounting.
- Mounts to either a standard 4" octagonal or a single gang electrical box. (4-gang plate for ELF623D optional).

Approval

- UL Listed

DIMENSIONS

Dimensions are approximate and subject to change.



ACCESSORIES

(Order as a separate item)

Wire Guard	WG8-L
------------	-------

ORDERING FORMAT

SERIES	# OF HEADS	LAMP SUFFIX	COLOR	VOLTAGE
ELF623= Square Head	Blank = Single head D = Double heads	/ _____ ¹	-M = Mist White -B = Black	6 = 6 VDC 12 = 12 VDC 24 = 24 VDC
		¹ Choose from lamp selection chart		

EXAMPLE: ELF623/L9-M12

LAMP SELECTION CHART

WEDGE BASE INCANDESCENT LAMPS				
LAMP SUFFIX	VOLTAGE	WATTAGE	LUMENS	REPLACEMENT #
L5	6	5.4	68	570.0012-L
L7	6	7.2	100	570.0026-L
L9	6	9	150	570.0016-L
L9	12	9	138	570.0025-L
L12	12	12	150	570.0028-L
L18	12	18	264	570.0029-L
L9	24	9	113	570.0045-L
L18	24	18	239	570.0046-L

BI-PIN HALOGEN LAMPS				
LAMP SUFFIX	VOLTAGE	WATTAGE	LUMENS	REPLACEMENT #
LH4	6	6	113	580.0012-L
LH5	6	8	163	580.0013-L
LH7	6	10	201	580.0017-L
LH6	6	12	239	580.0011-L
LH8	12	8	163	580.0014-L
LH3	12	12	276	580.0015-L
LH9	12	14	302	580.0016-L