



## GRANDE™ COMBINATION SERIES

Specification-grade, LED, Thermoplastic, snap-together Combination Unit

### FEATURES

#### Construction

- Frame, faceplate, backplate and canopy are made of Thermoplastic
- Clear polycarbonate lens covers
- 6 inch EXIT lettering legend, available in Red or Green

#### Mounting

- Surface Mount
- Universal model includes (2) faceplates, (1) backplate and (1) canopy
- Single face model includes (1) faceplate, (1) backplate and (1) canopy
- Double face model includes (2) faceplates and (1) canopy
- Canopy included for ceiling mount applications
- Backplate features universal knockouts for a standard 4 inch junction box, used in wall mount applications

#### Finishes

- Choice of finishes: white or black
- Optional brushed aluminum faceplate stencil available

#### Chevrons

- Faceplate includes two field-selectable, snap-in/out chevron indicators

#### Exit Legend LEDs

- Red or Green Long-Life Light Emitting Diodes (LED) illumination

#### Remote Capacity/Combination Units

- Lead-Calcium battery models offer a choice of 6V-12W, 6V-24W or 12V-24W total battery capacity
- Nickel-Metal Hydride battery models offer a choice of 6V-12W, 12V-24W, 12V-40W or 12V-50W total battery capacity

#### Lamp Head Source

- Choice of MR16 6V up to 10W or 12V up to 12W
- Choice of MR16 LED 6V-4W, 12V-4W, 12V-5W or 12V-6W with life expectancy 50,000+ hours
- Lamp heads are fully adjustable with no tools required

#### Self-Diagnostics

- Models available with or without Improved Diagnostics
- NEXUS® wired or wireless system compatible

#### Special Wording Panels

- Available, contact your sales representative with your design requirements

#### Approvals

- Listed to UL 924 Standards
- Nickel-Metal Hydride battery combination units UL listed for Damp location (50°F to 104°F, 10°C to 40°C)
- Meets NFPA101 (Life Safety Code), NFPA 70 NEC, OSHA illumination standards

#### Warranty

- Five-Year full warranty (subject to proper installation and maintenance)

### ACCESSORIES

(Order as a separate item)

Wire Guard (Wall Mount)	<b>WG2-L</b>
Pendant White	<b>GRA-P*-W</b>
Pendant Black	<b>GRA-P*-B</b>

\*Specify pendant length (12", 24", 36" etc)

#### Convert single face to double face in the field

Red/White	<b>005715-L</b>
Red/Black	<b>005716-L</b>
Green/White	<b>005717-L</b>
Green/Black	<b>005718-L</b>

### SPECIFICATIONS

Supply and Install Lightalarms® Grande™ Combination Series.

The Combination Unit specified as universal includes (2) faceplates, (1) backplate and (1) canopy, specified as single face includes (1) faceplate, (1) backplate and (1) canopy, specified as double face includes (2) faceplates and (1) canopy. The frame, faceplate, backplate and canopy shall be constructed of injection-molded Thermoplastic. Frame, backplate and canopy shall be matching in color, (W) white or (B) black. Faceplate shall be (W) white, (B) black or optional (A) brushed aluminum with a (R) red or (G) green legend. Snap together design allows for no screws being necessary to hold the faceplate(s) or backplate together or for removal and replacement of polycarbonate lens covers. The faceplate shall come standard with two field-selectable, removable snap-in/out chevron indicators. The universal and single face combination model shall be suitable for surface mount, wall or ceiling installations. The double face Combination Unit shall be suitable for surface mount ceiling installations. The EXIT illumination source shall be Light Emitting Diodes (LED) in (R) red or (G) green color. The LEDs shall provide illumination in normal and emergency operation mode. The LEDs shall be mounted inside the housing. A color matching LED sensitive legend diffuser of (R) red or (G) green shall be mounted in front of the LEDs to provide the 6" high by ¾" stroke EXIT letters with even illumination and no visible LEDs or hot spots. When specified, the unit shall be equipped with two emergency heads protected by snap-on, shock-absorbent, clear polycarbonate covers with tool-less adjustable swivels and MR16 halogen lamps or MR16 LED lamps as noted. Combination Units shall be 120/277VAC, 60Hz, with a power consumption of less than 2W for Exit Sign module operation and supplied with a sealed maintenance-free battery of Lead-Calcium or Nickel-Metal Hydride as noted, providing at least 90 minutes, illumination upon AC failure.

612M model shall be a 6V-12W Lead-Calcium battery with power consumption of 0.11/0.05A.

624M model shall be a 6V-24W Lead-Calcium battery with power consumption of 0.11/0.05A.

1224M model shall be a 12V-24W Lead-Calcium battery with power consumption of 0.22/0.08A.

612H model shall be a 6V-12W Nickel-Metal Hydride battery with power consumption of 0.11/0.05A

1224H model shall be a 12V-24W Nickel-Metal Hydride battery with power consumption of 0.22/0.08A

1240H model shall be a 12V-40W Nickel-Metal Hydride battery with power consumption of 0.22/0.08A

1250H model shall be a 12V-50W Nickel-Metal Hydride battery with power consumption of 0.22/0.08A

When specified, the Combination Unit with Improved Diagnostics shall include a self-test and silent diagnostic function, managed by a micro-controller; it shall execute automatic tests for one minute every 30 days, 30 minutes every 60 days and 90 minutes annually. A diagnostic circuit shall continuously monitor the performance of the battery, charger module and LED lamps. When a fault is detected, the pilot light shall change color from green to red and flash with a specific code. The red light is steady-on in case of a battery disconnect; it will flash with one blink for battery failure; two blinks for charger failure and four blinks for LED lamp failure. A label with the diagnostic legend shall be visible next to the pilot light. The Combination Unit shall be tested by Underwriters Laboratories, listed to UL 924 standards, and UL listed for Damp location (50°F to 104°F, 10°C to 40°C). The Combination Unit shall meet NFPA101 (Life Safety Code), NFPA 70-NEC and OSHA illumination standards. Includes a five-year full warranty.

The combination unit shall be Lightalarms® Model \_\_\_\_\_.



AVAILABLE WITH  
LED LAMP HEADS

nexus

id  
Improved  
diagnostics



Designed with aesthetics, ease of  
installation, extra remote capacity and  
performance in mind



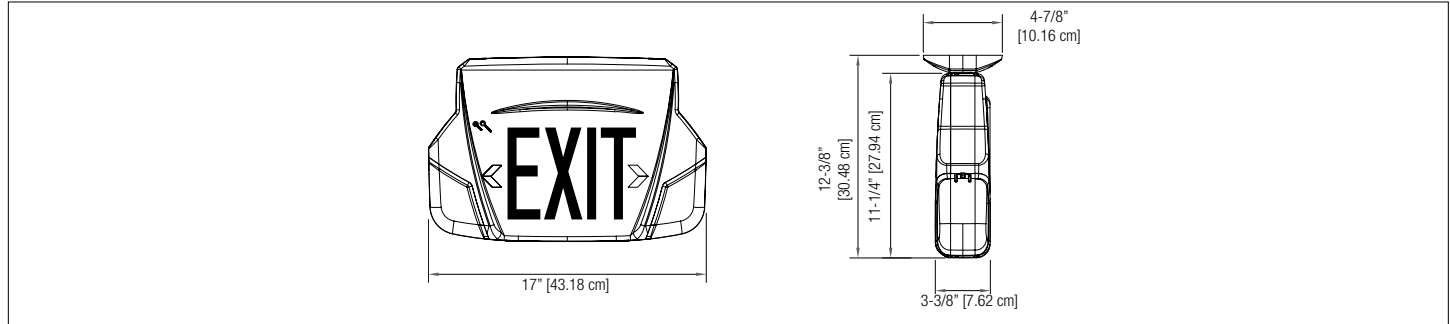
TYPE \_\_\_\_\_

CATALOG # \_\_\_\_\_

NOTES \_\_\_\_\_

## DIMENSIONS

Dimensions are approximate and subject to change.



## POWER CONSUMPTION/UNIT RATING CHART

SERIES	AC SPECS		DC SPECS - WATTS TO 87.5% OF RATED BATTERY VOLTAGE <sup>1</sup>					
	AC Input	Current Draw	Voltage	Battery	1-1/2 hrs	2 hrs.	3 hrs.	4 hrs.
GR612M	120/277VAC, 60Hz	0.11/0.05A	6V	Lead-Calcium	12	8	-	-
GR612H	120/277VAC, 60Hz	0.11/0.05A	6V	Nickel-Metal Hydride	12	9	-	-
GR624M	120/277VAC, 60Hz	0.11/0.05A	6V	Lead-Calcium	24	16	12	9
GR1224M	120/277VAC, 60Hz	0.22/0.08A	12V	Lead-Calcium	24	16	12	9
GR1224H	120/277VAC, 60Hz	0.22/0.08A	12V	Nickel-Metal Hydride	24	18	12	9
GR1240H	120/277VAC, 60Hz	0.22/0.08A	12V	Nickel-Metal Hydride	40	30	20	15
GR1250H	120/277VAC, 60Hz	0.22/0.08A	12V	Nickel-Metal Hydride	50	36	24	18

<sup>1</sup>National Electrical Code specification. Note: LED Exit AC Illumination draws less than 2W.

## ORDERING FORMAT

SERIES/BATTERY TYPE/CAPACITY	LEGEND COLOR	# OF FACE	HOUSING COLOR	# OF HEADS	LAMP TYPE	OPTIONS
<b>Lead-Calcium</b> GR612M= 6V-12W GR624M= 6V-24W GR1224M= 12V-24W  <b>Nickel Metal Hydride</b> <b>Rated Damp location</b> GR612H= 6V-12W GR1224H= 12V-24W GR1240H= 12V-40W GR1250H= 12V-50W	<b>R=</b> Red <b>G=</b> Green	<b>1=</b> Single face (ceiling or wall mount) <b>1N=</b> Single face no canopy (wall mount) <b>2=</b> Double face (ceiling mount) <b>U=</b> Universal 2 faces, backplate and canopy	<b>W=</b> White <b>B=</b> Black	<b>Blank=</b> No heads <b>2=</b> Two heads	<b>MR16 Halogen lamps</b> <b>M6=</b> 6V-6W <b>M10=</b> 6V-10W <b>M10=</b> 12V-10W <b>M12=</b> 12V-12W  <b>MR16 LED Lamps</b> <b>LD1=</b> 6V-4W <b>LD7=</b> 12V-4W <b>LD9=</b> 12V-5W <b>LD10=</b> 12V-6W	<b>Blank=</b> No option <b>-BA=</b> Brushed Aluminum exit stencil <b>-FB=</b> Flasher Buzzer <b>-FL=</b> Flasher <b>-FAF=</b> Fire Alarm activated Flasher <b>-FBF=</b> Flasher Buzzer + Fire Alarm activated Flasher <b>-VR=</b> Vandal Resistant Screws <b>-LVR1=</b> Vandal Resistant Polycarbonate lens and screws <b>-ID=</b> Improved Diagnostics (audible) <sup>1</sup> <b>-IDNA=</b> Improved Diagnostics (non-audible) <sup>1</sup> <b>-T3=</b> Time Delay (15 minutes) <b>-NEX=</b> Nexus® Wired <sup>1</sup> <b>-NEXRF=</b> Nexus® Wireless <sup>1</sup> <b>-PTS=</b> Photocell test switch For Pendant Kit see p. 51  <sup>1</sup> Not available with GR1250H, must connect remote head load when ordered with no heads.

EXAMPLE: GR612MR1W2M6

## GRANDE™ THERMOPLASTIC FAMILY

The Grande™ Combination Unit is a part of the Grande™ family of Thermoplastic emergency lighting products. The Grande™ family offers complete emergency lighting solutions where style and design are required in an economical package.



Grande™ Exit Series  
p.30



Grande™ Battery Series  
p.74-75



ELF640 (indoor) & ELF650 (outdoor)  
Remote Series p.110-111