



REMOTE FIXTURE PHANTOM™ SERIES

Virtually Invisible, Architecturally Pleasing

TYPE _____
 CATALOG # _____

 NOTES _____

Shown with MR16 LED lamps

FEATURES

Description

- Indoor use
- Two lamp MR16 remote fixture with a choice of halogen or LED
- One-piece all-metal module design (does not require large galvanized steel back box as does the battery back-up unit)
- Complete 360° door rotation, 180° to open 180° to close
- Slip gear mechanism protects the unit from objects that would cause the door rotation to be forcibly stopped.

Finish

- Flat door and frame are covered with a high-quality, powder coated textured off-white finish
- Surface finish can be customized on site with paint, wallpaper or other coverings.

Mounting

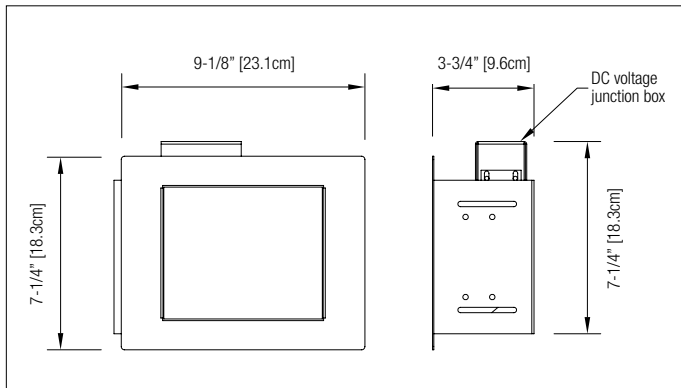
- The DC-remote fixture unit includes as an option (specify when ordering a hardware kit for installation in T-Bar ceiling structure).
- The module includes the electrical junction box and is installed on the wall stud or ceiling beam with the help of a simple, U-shape bracket.
- Key-hole slot for ease of installation

Approval

- CSA-US

DIMENSIONS

Dimensions are approximate and subject to change.



LAMP SELECTION CHART

MR 16 HALOGEN LAMPS				
LAMP SUFFIX	VOLTAGE	WATTAGE	LUMENS	REPLACEMENT #
12	12	12	80	580.0080-L
20	12	20	150	580.0064-L
H20	12	20-H	400	580.0068-L
35	12	35	430	580.0083-L
H35	12	35-H	830	580.0090-L
50	12	50	700	580.0076-L
H50	12	50-H	1460	580.0089-L
12	24	12	82	580.0070-L
20	24	20	240	580.0077-L
35	24	35	235	580.0084-L
50	24	50	670	580.0076-L

MR 16 LED LAMPS				
LAMP SUFFIX	VOLTAGE	WATTAGE	LUMENS	REPLACEMENT #
LD7	12	4	170	580.0093-L
LD9	12	5	340	580.0101-L
LD10	12	6	540	580.0106-L
LD13	24	4	200	580.0098-L

ORDERING FORMAT

SERIES	LAMP SUFFIX	OPTIONS
12PMR2= 12 VDC¹ 24PMR2= 24 VDC¹	_____ ¹	DL= Damp location

¹Double lamp remote fixture

¹Choose from lamp selection chart

EXAMPLE: 12PMR2-M50