

Severe™ XVH, XVH12N & XVH12H Combination Series

Class I Division 2, Groups A, B, C and D hazardous location combination unit



Severe™ Class I, Division 2 Family



Severe™ XVHZ & XVEHZ Exit series
PG. 48-49



Severe™ VH
Battery unit
PG. 108-109



Severe™ ELF651
Remote series
PG. 130-131

Construction

- Fully gasketed housing frame
- Faceplate: heavy-duty, vandal-resistant polycarbonate
- Backplate: heavy-duty aluminum
- Vandal-resistant UV stabilized polycarbonate lamp cover
- Stainless steel tamper-proof screws
- 6 inch EXIT lettering legend, available in red or green
- Field-selectable chevrons

Mounting

- Surface wall mount
- Backplate features universal knockouts for a standard 4 inch junction box, and four mounting eyelets used in wall mount applications
- 1/2 inch conduit entry on top and sides

Lamp type

- Choice of MR16 LED lamp voltages and wattages

Battery type

- XVH Model, Nickel-Cadmium battery, 6V-20W total battery capacity
- XVH12N Model, Nickel-Cadmium battery, 12V-24W total battery capacity

Special Wording Panels

Available. Contact your sales representative with your design requirements

Photometric performance

Lamp	Spacing center-to-center (feet)	
	7 feet mounting height	15 feet mounting height
LD1	39'	34'
LD7	49'	39'
LD9	68'	54'
LD10	89'	80'

Electronics

- Magnetic test switch
- Standard Improved Diagnostics (non-audible)
- Optional Nexus® monitoring system
- 120/277 60Hz

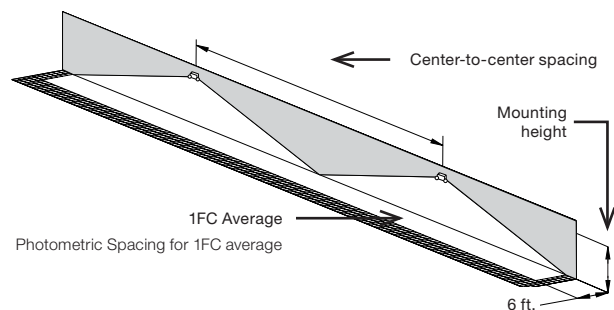
Approvals

- CSA-US (to UL 924 standards)
- Evaluated to the UL 844 Standard for Class I Division 2, Groups A, B, C and D
- NEC, OSHA and NEMA compliant for above Classes and Groups
- Damp and wet location 50°F to 104°F (10°C to 40°C)
- Meets NFPA101 (Life Safety Code), NFPA 70-NEC and OSHA illumination standards
- Temperature code T4A

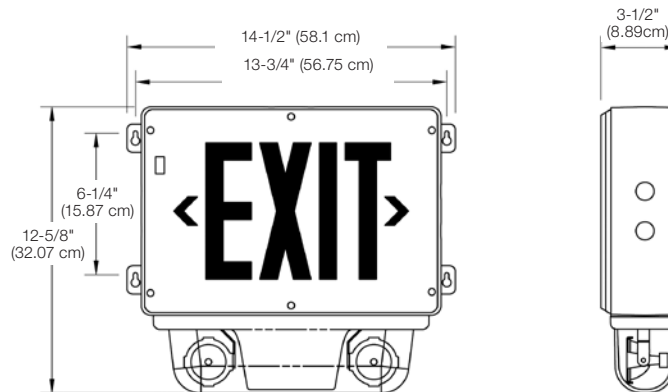
Warranty (subject to proper installation and maintenance)

- Five-year limited warranty

Detailed warranty terms located on [page 182](#) or online at: www.lightalarms.com



Dimensions (Dimensions are approximate and subject to change):



Power consumption chart

Series	AC input		Maximum		Stand-By		Watts to 87.5% of rated battery voltage ¹			
	(VAC)	Current (Amp)	Power (Watt)	Current (Amp)	Power (Watt)	1-1/2hrs	2 hrs	3 hrs	4 hrs	
XVH	120/277VAC, 50/60Hz	0.15 / 0.07	16	0.09 / 0.03	8	20	15	-	-	
XVH12N	120/277VAC, 50/60Hz	0.30 / 0.08	29	0.13 / 0.05	10	24	18	12	-	

¹ National Electrical Code Specification

Accessories (Order as a separate item)

Description	Product code
Tamper-Proof Bit (Extra)	690.0454-L

Temperature codes

Lamp rating	Temperature code	Maximum Temperature	Replacement lamp part #
6V-4W LED	T4A	248°F (120°C)	580.0097
12V-4W LED	T4A	248°F (120°C)	580.0093
12V-5W LED	T4A	248°F (120°C)	580.0104
12V-6W LED	T4A	248°F (120°C)	580.0106

Note: Use qualified replacement lamps to avoid risk of over-heating

Ordering format

Housing/ Face color	Series	Legend color	Diagnostic	No. of heads	Lamp type
GG = Gray/Gray	Nickel-Cadmium battery XVH= 6V-20W XVH12N= 12V-24W	R = Red G = Green	-D = Improved Diagnostics (included standard non audible) -DA = Improved Diagnostics (audible) -NEX = Nexus® wired (consult your sales representative) -NEXRF = Nexus® wireless (consult your sales representative)	/0 = No head ¹ /2 = 2 heads	LD1 = 6V-4W MR16 LED LD7 = 12V-4W MR16 LED LD9 = 12V-5W MR16 LED LD10 = 12V-6W MR16 LED

Example: GGXVHR-D/2LD1

¹ A remote load must be connected