

## Severe™ XV12E & XV24E Combination Series

NEMA-4X, vandal resistant and harsh environment combination unit



### Construction

- Full gasketed NEMA-4X housing
- Faceplate: heavy-duty, vandal-resistant polycarbonate
- Backplate: heavy-duty aluminum
- Heads protected by clear polycarbonate lens
- Comes with both Phillips head and tamper-proof screws
- 6 inch EXIT lettering legend, available in red or green
- Field-selectable chevrons
- Choice of finishes: white, black or gray

### Lamp type

Choice of MR16 LED lamp voltages and wattages

### Mounting

- Surface mount
- Canopy included for end or ceiling mount applications
- Universal J-box mounting
- ½ inch conduit entry on top and sides

### Choice of battery

- XV12E model, Nickel-Cadmium battery, 6V-12W total battery capacity
- XV24E model, Nickel-Cadmium battery, 12V-24W total battery capacity

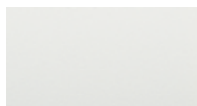
### Special Wording Panels

Available. Contact your sales representative with your design requirements

### Frame/Face plate color



Black



White



Gray



Aluminum

### The Severe™ NEMA-4X Rated and NSF Certified Family



Severe™ XV exit series  
PG. 44-45



Severe™ V battery unit  
PG. 98-99



Severe™ ELF650 remote series  
PG. 127

### Electronics

- Magnetically operated test switch
- Standard Improved Diagnostics (non-audible)
- Optional Nexus® monitoring system
- 120/277 60Hz

### Approvals

- UL 924 listed
- UL listed for wet and damp location  
50°F to 104°F (10°C to 40°C)
- UL listed for cold weather option-40°F to +104°F  
(-40°C to +40°C)
- Meets NFPA101 (Life Safety Code), NFPA 70 NEC, OSHA illumination standards

### Warranty (subject to proper installation and maintenance)

Five-year limited warranty

Detailed warranty terms located on **page 182** or online at: [www.lightalarms.com](http://www.lightalarms.com)

nexus

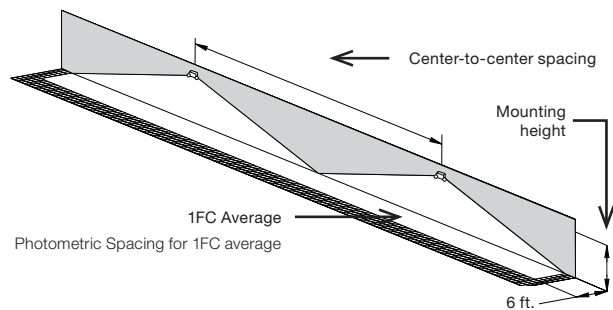
NEMA-4X

NSF

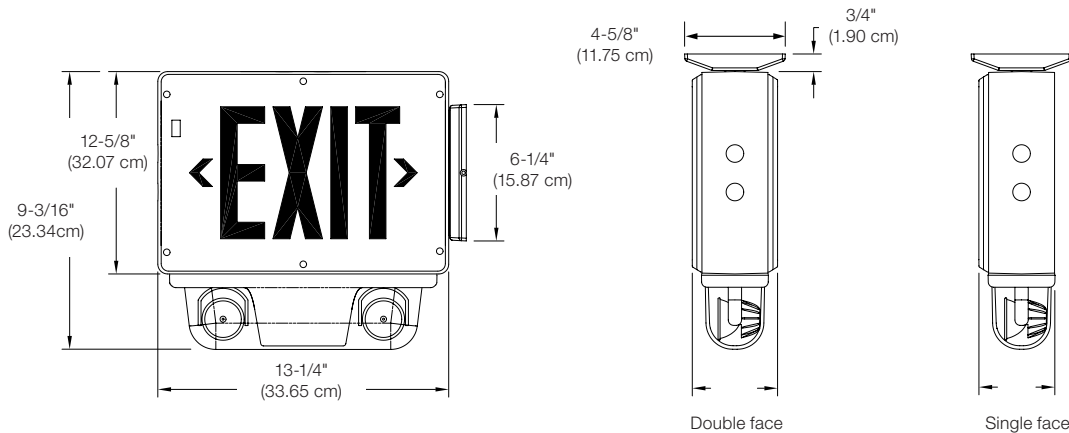


### Photometric performance

Lamp	Spacing center-to-center (feet)	
	7 feet mounting height	15 feet mounting height
LD1	39'	34'
LD7	49'	39'
LD9	68'	54'
LD10	89'	80'



**Dimensions** (Dimensions are approximate and subject to change):



**Power consumption chart & unit rating**

Series	AC Specs			Battery	DC Specs			
	AC Input	Current Draw	Voltage		Battery capacity in watts			
					1-1/2 Hrs.	2 Hrs.	3 Hrs.	4 Hrs.
XV12E	120/277VAC, 50/60Hz	0.12/0.06A (Less than 13W)	6V	Nickel-Cadmium	12	9	-	-
XV24E		0.17/0.08A (Less than 19W)	12V		24	18	12	9
Models with CW4 Option		0.24/0.12A (Less than 25W)						

**Accessories** (Order as a separate item)

Description	Product code
Tamper-Proof Bit (extra)	690.0454-L

**Ordering format**

Housing/ Face color	Series/ Capacity	Faces	Legend color	Diagnostic
<b>Blank</b> = Black/ Black	<b>XV12E</b> = 6V-12W	-1= Single face	<b>R</b> = Red	<b>D</b> = Improved Diagnostics (non-audible, standard) <sup>1</sup>
<b>BW</b> = Black/White	<b>XV24E</b> = 12V-24W	-2= Double face	<b>G</b> = Green	<b>DA</b> = Improved Diagnostics (audible)
<b>BA</b> = Black/ Aluminum				<b>NEX</b> = Nexus <sup>®</sup> wired <sup>1</sup>
<b>WW</b> = White/ White				<b>NEXRF</b> = Nexus <sup>®</sup> wireless <sup>1</sup>
<b>WB</b> = White/ Black				
<b>WA</b> = White/ Aluminum				
<b>GA</b> = Gray/Aluminum				
<b>GW</b> = Gray/White				
<b>GB</b> = Gray/Black				

Housing	# of heads	Lamp type	Options
-4X= NEMA-4X housing <sup>2</sup>	/0= 0 head <sup>3</sup> /2= Two heads	<b>MR16 LED</b> LD1= 6V-4W LD7= 12V-4W LD9=12V-5W LD10=12V-6W	-208V= 208VAC, 60Hz input -240V= 240VAC, 60Hz input -208V50HZ= 208VAC, 50Hz input -CW4= Cold weather 120/277V (-40°F/-40°C) <sup>4</sup> -CM= Canopy Pendant Mount

**Example: WWXV12E1RDA4X/2M6CW4**

<sup>1</sup> CSA US Approved only, consult your sales representative  
<sup>2</sup> A remote load must be connected  
<sup>3</sup> Not available with "D or DA" option  
<sup>4</sup> Single face only