

Severe™ XV12E & XV24E Combination Series

NEMA-4X, vandal resistant and harsh environment combination unit



Construction

- Full gasketed NEMA-4X housing
- Faceplate: heavy-duty, vandal-resistant polycarbonate
- Backplate: heavy-duty aluminum
- Heads protected by clear polycarbonate lens
- Comes with both Phillips head and tamper-proof screws
- 6 inch EXIT lettering legend, available in red or green
- Field-selectable chevrons
- Choice of finishes: white, black or gray

Lamp type

Choice of MR16 LED lamp voltages and wattages

Mounting

- Surface mount
- Canopy included for end or ceiling mount applications
- Universal J-box mounting
- ½ inch conduit entry on top and sides

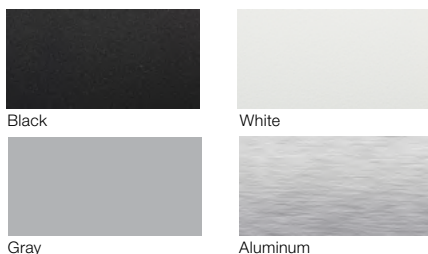
Choice of battery

- XV12E model, Nickel-Cadmium battery, 6V-12W total battery capacity
- XV24E model, Nickel-Cadmium battery, 12V-24W total battery capacity

Special Wording Panels

Available. Contact your sales representative with your design requirements

Frame/Face plate color



The Bluetooth® word mark and logos are registered trademarks owned by Bluetooth SIG, Inc. and any use of such marks by ABB Inc. is under license. Other trademarks and trade names are those of their respective owners.

The Severe™ NEMA-4X Rated and NSF Certified Family



Severe™ XV exit series
PG. 48-49



Severe™ V battery unit
PG. 102-103



Severe™ ELF650 remote series
PG. 137

Electronics

- Magnetically operated test switch
- Standard Improved Diagnostics (non-audible)
- Standard 15 minutes time delay
- Optional Nexus®Pro IoT monitoring system
- Optional Nexus® wired and wireless monitoring system
- 120/277 60Hz

Approvals

- UL 924 listed
- UL listed for wet and damp location
50°F to 104°F (10°C to 40°C)
- UL listed for cold weather option -40°F to +104°F
(-40°C to +40°C)
- Meets NFPA101 (Life Safety Code), NFPA 70 NEC, OSHA illumination standards

Warranty (subject to proper installation and maintenance)

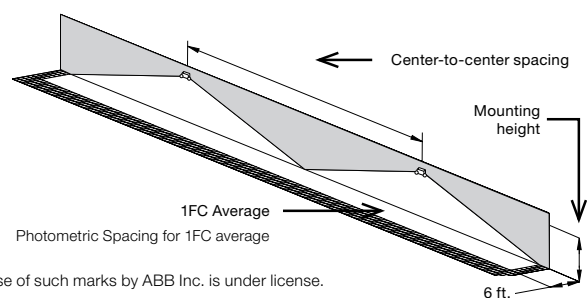
Five-year limited warranty

Detailed warranty terms located on [page 197](#) or online at: www.lightalarms.com

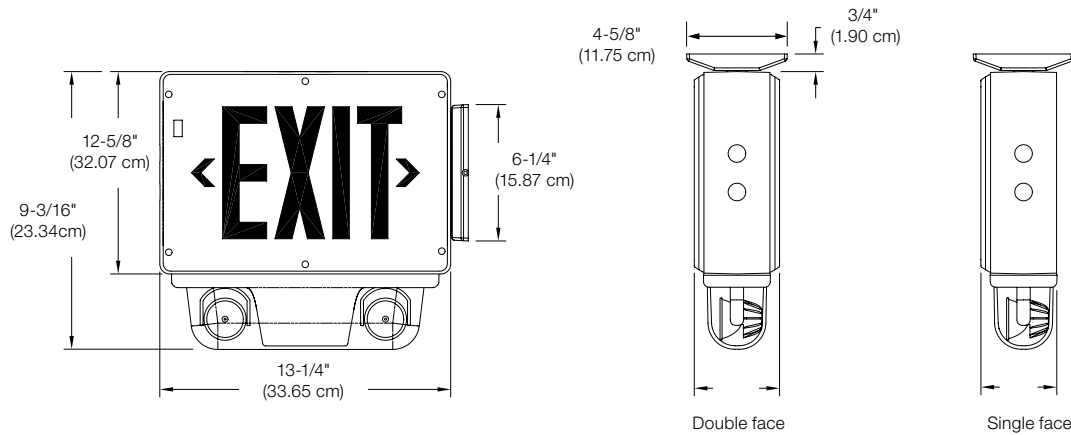
nexus NEMA-4X Nexus®Pro

Photometric performance

Lamp	Spacing center-to-center (feet)	
	7 feet mounting height	15 feet mounting height
LD1	39'	34'
LD2	74'	57'
LD7	49'	39'
LD9	68'	54'
LD10	89'	80'



Dimensions (Dimensions are approximate and subject to change):



Power consumption chart & unit rating

Series	AC Specs			Battery	DC Specs			
	AC Input	Current Draw	Voltage		Battery capacity in watts			
					1-1/2 Hrs.	2 Hrs.	3 Hrs.	4 Hrs.
XV12E	120/277VAC, 50/60Hz	0.12/0.06A (Less than 13W)	6V	Nickel-Cadmium	12	9	-	-
XV24E		0.17/0.08A (Less than 19W)	12V		24	18	12	9
Models with CW4 Option		0.24/0.12A (Less than 25W)						

Accessories (Order as a separate item)

Description	Product code
Tamper-Proof Bit (extra)	690.0454-L

Ordering format

Housing/ Face color	Series/ Capacity	Faces	Legend color	Diagnostic
Blank = Black/ Black	XV12E = 6V-12W	-1= Single face	R = Red	D = Improved Diagnostics (non-audible, standard)
BW = Black/White	XV24E = 12V-24W	-2= Double face	G = Green	DA = Improved Diagnostics (audible)
BA = Black/ Aluminum				NEX = Nexus® wired
WW = White/ White				NEXP = Nexus® Pro IoT
WB = White/ Black				NEXRF = Nexus® wireless
WA = White/ Aluminum				
GA = Gray/Aluminum				
GW = Gray/White				
GB = Gray/Black				

Housing	# of heads	Lamp type	Options
-4X= NEMA-4X housing	/0= 0 head ¹ /2= Two heads	MR16 LED LD1= 6V-4W LD2= 6V-5W LD7= 12V-4W LD9=12V-5W LD10=12V-6W	-208V= 208VAC, 60Hz input -240V= 240VAC, 60Hz input -208V50HZ= 208VAC, 50Hz input -CW4= Cold weather 120/277V (-40°F/-40°C) ² -CM= Canopy Pendant Mount

Example: WWXV12E1RDA4X/2M6CW4

¹ A remote load must be connected
² Single face only