



SEVERE™ XV12E & XV24E COMBINATION SERIES

Nema 4X, Vandal Resistant and Harsh Environment Combination Unit

FEATURES

Construction

- Frame: Polyvinyl Chloride enclosure, fully gasketed around the lens, backplate and canopy to prevent water infiltration
- Faceplate: heavy-duty, vandal-resistant polycarbonate
- Backplate: heavy-duty 1/8 inch thick aluminum
- Canopy: constructed of die-cast aluminum
- Heads protected by a shock-absorbent, clear polycarbonate lens
- Stainless steel tamper-proof screws
- Magnetically operated test switch
- 6 inch EXIT lettering legend, available in Red or Green

Mounting

- Surface Mount
- Single face model includes (1) faceplate, (1) back-plate and (1) canopy
- Double face model includes (2) faceplates and (1) canopy
- Canopy included for end or ceiling mount applications
- Backplate features universal knockouts for a standard 4 inch junction box, used in wall mount applications
- Frame includes ½ inch conduit knock-out entry on top and sides.

Finishes

- Choice of finishes: white, black or gray
- Optional brushed aluminum faceplate stencil available

Chevrons

- Faceplate includes two field-selectable, knock-out chevron indicators

Exit Legend LEDs

- Red or Green Long-Life Light Emitting Diodes (LED) illumination

Combination Units

- XV12E Model, Nickel-Cadmium battery, 6V-12W total battery capacity
- XV24E Model, Nickel-Cadmium battery, 12V-24W total battery capacity (available remote capacity of 16W when using 12V-4W MR16 LED lamps)

Lamp Head Source

- Choice of MR16 halogen, 6V-6W, 12V-10W or 12V-12W
- Choice of MR16 LED, 6V or 12V-4W, 12V-5W or 12V-6W with life expectancy 50,000+ hours
- Lamp heads are fully adjustable with no tools required.

Self-Diagnostics

- Units standard with Improved Diagnostics
- NEXUS® Wired or Wireless system compatible

Special Wording Panels

- Available. Contact your sales representative with your design requirements

Approvals

- Listed to UL 924 Standards
- UL listed for Damp location (50°F to 104°F, 10°C to 40°C)
- UL listed for Cold Weather option (-40°F to 104°F, -40°C to 40°C)
- Meets NFPA101 (Life Safety Code), NFPA 70 NEC, OSHA illumination standards
- NSF Rated for food processing areas

Warranty

- Five-Year full warranty (subject to proper installation and maintenance)

SPECIFICATIONS

Supply and Install Lightalarms® Severe™ XV12E, XV24E Combination Series.

The combination model specified as single face shall be standard with (1) faceplate, (1) backplate and (1) canopy and specified as double face shall be standard with (2) faceplates and (1) canopy. Frame shall be fabricated of a Polyvinyl Chloride enclosure with full gasket around the lens, backplate and canopy. Faceplate lens shall be heavy-duty, vandal-resistant polycarbonate. Backplate shall be heavy-duty 1/8 inch thick aluminum. Canopy shall be constructed of die-cast aluminum. Lamp heads shall be protected by a clear polycarbonate lens. Model shall include a magnetically operated test switch, with 6 inch EXIT lettering legend, available in Red or Green. Frame, backplate and canopy shall be matching in color, (W) white (B) black or (G) gray. Faceplate shall be (W) white, (B) black, (G) gray or optional (A) brushed aluminum with a (R) red or (G) green legend.

Stainless steel tamper-proof screws hold the faceplate(s) or backplate to the frame. The faceplate shall come standard with two field-selectable, removable knockout chevron indicators. The single face Exit Sign shall be suitable for surface mount, wall, end or ceiling installations. The double face Exit Sign shall be suitable for surface mount, end or ceiling installations. The illumination source shall be Light Emitting Diodes (LED) in (R) red or (G) green color. The LEDs shall provide illumination in normal and emergency operation mode. The LEDs shall be mounted inside the Exit Sign housing. A color matching LED sensitive legend diffuser of (R) red or (G) green, shall be mounted in front of the LEDs to provide the 6" high by ¾" stroke EXIT letters with even illumination and no visible LEDs or hot spots. When specified the unit shall be equipped with two emergency heads protected by shock-absorbent, clear polycarbonate covers with tool-less adjustable swivels and MR16 halogen lamps or MR16 LED lamps as noted.

Combination Units shall be 120/277VAC, 50/60Hz, and supplied with a sealed maintenance-free Nickel-Cadmium battery, providing at least 90 minutes illumination upon AC failure.

XV12E model shall be 6V-12W with power consumption of 0.12/0.06A, less than 13W.

XV24E model shall be 12V-24W with power consumption of 0.17/0.08A, less than 19W.

XV12E1 model with cold weather option shall be a 6V-12W with power consumption of 0.24/0.24A, less than 25W.

Combination Units standard with Improved Diagnostics shall include a self-test and choice of silent or audible diagnostic function, managed by a micro-controller; it shall execute automatic tests for one minute every 30 days, 30 minutes every 60 days and 90 minutes annually. A diagnostic circuit shall continuously monitor the performance of the battery, charger module, lamps and LED strip failure. When a fault is detected, the single service required indicator illuminates immediately. A detailed diagnostic display is located on the inside of the Combination Unit, out of sight from the general public. The detailed diagnostic display inside the unit will further indicate the nature of the fault.

The Combination Unit shall be tested by Underwriters Laboratories, listed to UL 924 standards, UL listed for Damp location (50°F to 104°F, 10°C to 40°C) and UL listed for Cold Weather option (-40°F to 77°F, -40°C to 25°C). The Combination Unit shall meet NFPA101 (Life Safety Code), NFPA 70-NEC and OSHA illumination standards. Includes a five-year full warranty.

The Combination Unit shall be Lightalarms® Model _____.

ACCESSORIES

(Order as a separate item)

Tamper-Proof Bit (Extra)	690.0454-L
--------------------------	------------



AVAILABLE WITH
LED LAMP HEADS

nexus NEMA-4X



TYPE _____

CATALOG # _____

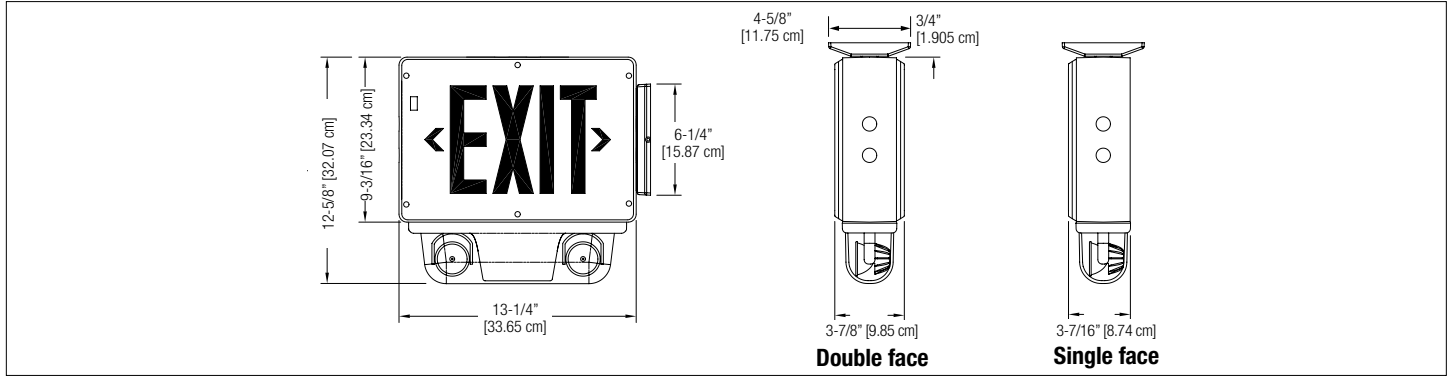
NOTES _____

Designed and engineered for the toughest environments, this Combination Unit is suitable for industrial and commercial applications and public facilities



DIMENSIONS

Dimensions are approximate and subject to change.



POWER CONSUMPTION/UNIT RATING CHART

SERIES	AC SPECS		DC SPECS - WATTS TO 87.5% OF RATED BATTERY VOLTAGE*					
	AC Input	Current Draw	Voltage	Battery	1-1/2 hrs.	2 hrs.	3 hrs.	4 hrs.
XV12E	120/277VAC, 50/60Hz	0.12/0.06A - Less than 13W	6V	Nickel-Cadmium	12	9	-	-
XV24E		0.17/0.08A - Less than 19W	12V		24	18	12	9
Models with CW4 Option		0.24/0.12A - Less than 25W						

*National Electrical Code Specification

ORDERING FORMAT

HOUSING/ FACE COLOR	SERIES/ CAPACITY	FACES	LEGEND COLOR	DIAGNOSTICS	HOUSING	# OF HEADS	LAMP TYPE	OPTIONS
Blank= Black/Black BW= Black/White BA= Black/Aluminum WW= White/White WB= White/Black WA= White/Aluminum GA= Gray/Aluminum GW= Gray/White GB= Gray/Black	XV12E= 6V-12W XV24E= 12V-24W	1= Single face 2= Double face	R= Red G= Green	D= Improved Diagnostics (non-audible standard) DA= Improved Diagnostics (audible) NEX= NEXUS® Wired ¹ NEXRF= NEXUS® Wireless ¹	4X= Nema 4X housing	/0= 0 head ¹ /2= Two heads	MR16 Halogen M6= 6V-6W M10= 12V-10W M12= 12V-12W MR16 LED LD1= 6V-4W LD7= 12V-4W LD9= 12V-5W LD10= 12V-6W	-FAF= Flasher (fire alarm activated) -FB= Flasher/buzzer (AC power failure) ¹ -FL= Flasher (AC power failure) ¹ -208V= 208VAC, 60Hz input -240V= 240VAC, 60Hz input -208V50HZ= 208VAC, 50Hz input -CW4= Cold weather 120/277V (-40°F/-40°C) ² -CM= Canopy Pendant Mount
				¹ CSA US Approved only, consult your sales representative				¹ Not available with "D or DA" option ² Single face only

EXAMPLE : WWXV12E1RDA4X/2M6CW4

SEVERE™ NEMA-4X RATED AND NSF CERTIFIED FAMILY

The Severe™ XV Series Combination Units is a part of the Severe™ family of NEMA-4X rated emergency lighting products. The Severe™ family offers complete emergency lighting solutions for commercial and industrial environments where humidity, dust, water infiltration and the risk of vandalism are specification criteria. These products deliver state-of-the-art illumination in a visually appealing package.



Severe™ XV Exit Series
p.40



Severe™ V Battery Series
p.90



Severe™ ELF650 Remote Series
p.111