



REMOTE HEAD & UNIT HEAD DR SERIES

Metal MR16 Lamp Head

Available Mounted on:

- TBR Series • RD Series • S12E Series • MG & MN Series
- PG & P12G Series • PN & P12N Series • PQ & P12Q Series

TYPE _____

CATALOG # _____

NOTES _____

FEATURES

Description

- Indoor use
- Available as a single, double or triple MR16 size lighting head
- Die cast aluminum construction
- Fully tool-free adjustable aiming swivel head
- Clear glass lens

Finish

- Powder-coated white or black

Mounting

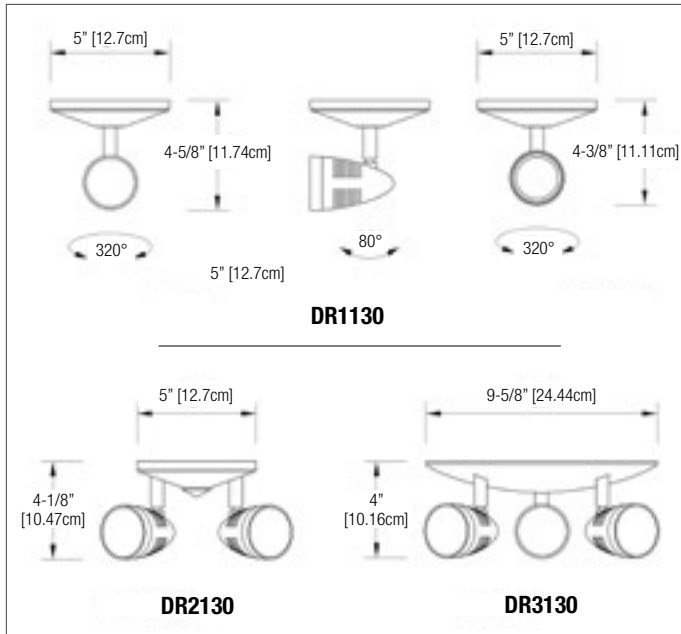
- Surface Mount
- Includes canopy plate for mounting to a standard 4" octagonal electrical box.

Approval

- UL Listed

DIMENSIONS

Dimensions are approximate and subject to change.



LAMP SELECTION CHART

MR 16 HALOGEN LAMPS				
LAMP SUFFIX	VOLTAGE	WATTAGE	LUMENS	REPLACEMENT #
M5	6	5	34	580.0072-L
M6	6	6	40	580.0074-L
M10	6	10	74	580.0079-L
M10	12	10	84	580.0099-L
M12	12	12	80	580.0080-L
M20	12	20	150	580.0064-L
MA20	12	20-A	225	580.0075-L
MH20	12	20-H	400	580.0068-L
M35	12	35	430	580.0083-L
MH35	12	35-H	830	580.0090-L
M50	12	50	700	580.0076-L
MH50	12	50-H	1460	580.0089-L
M12	24	12	82	580.0070-L
M20	24	20	240	580.0077-L
MA20	24	20-A	220	580.0094-L
M35	24	35	235	580.0084-L
M50	24	50	670	580.0076-L
M20	120	20	100	580.0065-L
M35	120	35	230	580.0066-L
M50	120	50	460	580.0067-L

MR 16 LED LAMPS				
LAMP SUFFIX	VOLTAGE	WATTAGE	LUMENS	REPLACEMENT #
LD1	6	4	130	580.0097-L
LD7	12	4	170	580.0093-L
LD9	12	5	340	580.0104-L
LD10	12	6	540	580.0106-L
LD13	24	4	200	580.0098-L
LD14	24	6	590	580.0100-L
LD25	120	4	200	580.0010-L

ACCESSORIES

(Order as a separate item)

Wire Guard for DR1130, DR2130	WG8-L
Wire Guard for DR3130	WG2-L

ORDERING FORMAT

SERIES	LAMP SUFFIX	COLOR	VOLTAGE
DR1130 = Single remote head DR2130 = Double remote head DR3130 = Triple remote head	/ _____ ¹	-WH = White -BK = Black	6 = 6 VDC 12 = 12 VDC 24 = 24 VDC 120 = 120 VAC/VDC
¹ Choose from lamp selection chart			

EXAMPLE: DR1130/M12-WH12