



VANDAL RESISTANT ELF640

ELF640 SERIES

ELF640 Vandal Resistant

TYPE _____

CATALOG # _____

NOTES _____

FEATURES

Description

- ELF640 Vandal Resistant Indoor use only
- ELF640 choice of cast aluminum or plastic back plate
- ELF640 Vandal Resistant comes standard with Phillips head screws, optional tamper proof screws
- Available as single or double MR16 lamp size remote lighting fixture
- Include clear polycarbonate UV and impact resistant cover
- Tool-less, fully adjustable, aiming swivel head and easy lamp replacement

Finish

- White, Black or Gray

Mounting

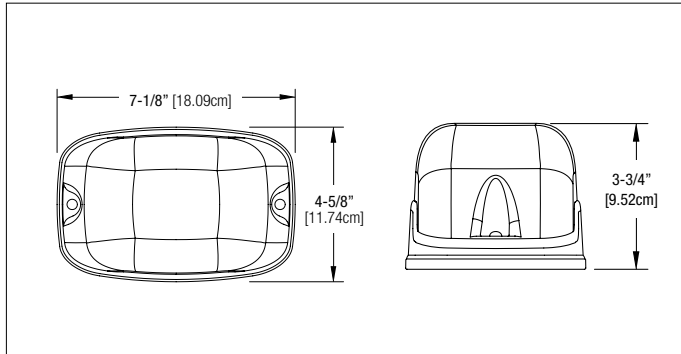
- Surface Mount
- Includes a back plate for mounting to a standard 4" octagonal electrical box

Approval

- UL Listed
- Vandal Resistant

DIMENSIONS

Dimensions are approximate and subject to change.



LAMP SELECTION CHART

MR 16 HALOGEN LAMPS				
LAMP SUFFIX	VOLTAGE	WATTAGE	LUMENS	REPLACEMENT #
M6	6	6	40	580.0074-L
M10	6	10	74	580.0079-L
M10	12	10	74	580.0099-L
M12	12	12	80	580.0080-L
M12	24	12	80	580.0070-L
M20 ¹	12	20	270	580.0064-L
M20 ¹	24	20	240	580.0077-L
MH20 ¹	12	20-H	400	580.0068-L

¹ Not available with ELF640P Series (12W lamp max).

MR 16 LED LAMPS				
LAMP SUFFIX	VOLTAGE	WATTAGE	LUMENS	REPLACEMENT #
LD1	6	4	130	580.0097-L
LD7	12	4	170	580.0093-L
LD9	12	5	340	580.0104-L
LD10	12	6	510	580.0106-L
LD13	24	4	200	580.0098-L

ORDERING FORMAT - ELF640 SERIES

SERIES	LAMP SUFFIX	COLOR	VOLTAGE	OPTIONS
ELF640P = All polycarbonate single head for dry location ¹ ELF640PD = All polycarbonate double head for dry location ¹ ELF640 = Die-Cast back plate single head for dry location ELF640D = Die-Cast back plate double head for dry location	/ _____ ¹	-M = White -B = Black -G = Gray	6 = 6 VDC 12 = 12 VDC 24 = 24V DC	Blank = no option T = tamper proof screws

¹ Up to 12W lamps max and 4W MR16 LED max

¹ Choose from lamp selection chart

EXAMPLE: ELF640P/M12-M12