



NEMA-3R



**NEW DESIGN & LED FOR
NORMALLY-ON AND/OR
EMERGENCY BACK-UP**

REMOTE FIXTURE CAMRAY® LED SERIES

Low-profile, slim look and performance
in a Remote Fixture

TYPE _____

CATALOG # _____

NOTES _____

FEATURES

Description

- Indoor or Outdoor Use
- (4) 100% LED light engine with redundant connections and very wide beam
- Powder-coated Die-Cast aluminum construction
- Clear Polycarbonate lens allows for maximum lumen output
- Optional forward-throw light distribution, for applications of outdoor Exit discharge (OSHA 1910.36)
- Optional dual-mode: normal and emergency LED lighting with separate AC inputs
- Optional high-lumen output: 25-50% additional level of illumination
- Optional photo-switch: dusk-to-dawn control of normal lighting
- Optional remote test: infrared remote control (keyboard ordered separately)
- 400-640 Lumens
- Color temperature: 5000K

Finish

- Choice of four finishes, off-white, Black, platinum gray or dark bronze

Mounting

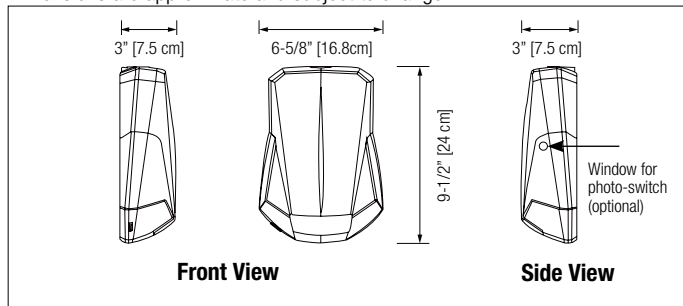
- Surface Wall Mount
- Universal knock-out for mounting to a standard 4" octagonal electrical box

Approval

- UL Listed
- NEMA-3R
- UL Listed for Damp and Wet Location
- Operating temperature -40°F to 122°F (-40°C to + 50°C)

DIMENSIONS

Dimensions are approximate and subject to change.



PHOTOMETRIC

TABLE A: SPACING FOR NFPA101 (AVERAGE = 1FC, SEE NOTE)

MODEL TYPE	MOUNTING HEIGHT	LUMEN	COLOR TEMPERATURE	WIDTH X LENGTH (FT)	
				SINGLE UNIT	CENTER-TO-CENTER
Standard	9'	400	5000K	6' X 50'	6' X 50'
With option -H	11'	550		6' X 60'	6' X 60'
					3' X 70'
With option -FT	12'	460		6' X 40'	—
With option -FTH	15'	640	6' X 50'	—	

Indoor reflectance: 80/50/20 and 10-ft wide corridor. Outdoor reflectance: 0/30/10

Note: The illumination level meets ALL the requirements of the Life Safety Code (NFPA 101):
 1) Average of 1 foot-candle or more
 2) Minimum at any point of 0.1 foot-candle or more
 3) Maximum-to-minimum illumination uniformity ratio of 40:1 or less

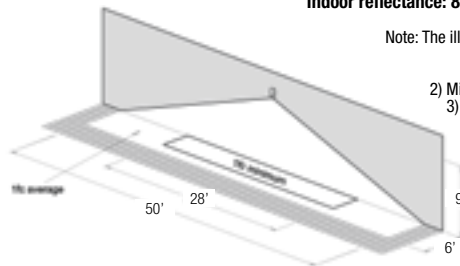
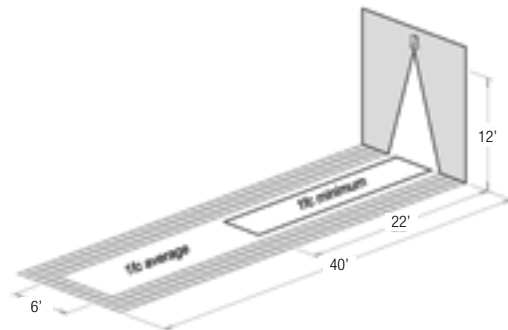


TABLE B: SPACING FOR MINIMUM ILLUMINATION = 1FC

MODEL TYPE	MOUNTING HEIGHT	LUMEN	COLOR TEMPERATURE	WIDTH X LENGTH (FT)	
				SINGLE UNIT	CENTER-TO-CENTER
Standard	9'	400	5000K	4' x 28'	4' x 32'
With option -H	11'	550		4' x 32'	4' x 40'
With option -FT	12'	460		4' x 22'	—
With option -FTH	15'	640		4' x 27'	—



POWER CONSUMPTION

MODEL	AC INPUT(S): 120/277VAC				DC INPUT
	NORMAL LIGHTING		EMERGENCY LIGHTING		6-12V ¹
	CURRENT (MAX)	POWER (MAX.)	CURRENT (MAX)	POWER (MAX.)	POWER (MAX.)
AC, 2AC, ACDC, DC	0.12/0.08A	12W	0.11/0.08A	12W	8W
All above, -H	0.18/0.11A	18W	0.18/0.11A	18W	14W (6VDC only)

¹ Note: Only unswitched AC input; normal lighting with photo-switch or remote control

ORDERING FORMAT

SERIES	MODEL ¹	COLOR	OPTIONS
CAM= Camray® LED	AC= AC-only ACDC= AC/6-12VDC remote DC= 6-12VDC remote fixture 2AC= AC-only two circuits: 120/120 or 277/277V ¹ Temperature range: -40°C + 50°C (-40°F - 122°F)	B= Black DB= Dark bronze OW= Off white PG= Platinum gray	-FT= Forward throw lighting -H= High lumen output (-40°C - 30°C) (-40°F - 86°F) -P= Photo-switch (AC and ACDC only) -RC= Remote control - infrared (AC and ACDC only) ¹ With -RC option, order the remote control keypad (TB-RC1-L) separately

EXAMPLE: CAMACDCB-H