



UQLXN500 Series Self-powered LED Exit Sign and Combo Unit



WARNING:
Risk of Shock.
Disconnect Power before Installation.



IMPORTANT SAFEGUARDS

When using electrical equipment, basic safety precautions should always be followed including the following:

READ AND FOLLOW ALL SAFETY INSTRUCTIONS

1. All servicing should be performed by qualified service personnel.
2. All unused wires must be insulated to prevent shorting.
3. Do not use outdoors.
4. Do not let power supply cords touch hot surfaces.
5. Do not mount near gas or electric heaters.
6. Use caution when handling batteries. Battery acid can cause burns to the skin and eyes. If acid is spilled on the skin or eyes, flush affected area with fresh water and contact a physician immediately.
7. Avoid possible shorting.
8. Caution: If optional Halogen cycle lamp(s), symbol (H—), are used in this equipment, to avoid shattering: do not operate lamp in excess of rated voltage, protect lamp against abrasion and scratches and against liquids when lamp is operating, dispose of lamp with care.
9. Halogen cycle lamps operate at high temperatures. Do not store or place flammable materials near lamp.
10. Equipment should be mounted in locations and at heights where it will not readily be subjected to tampering by unauthorized personnel.
11. The use of accessory equipment not recommended by the manufacturer may cause an unsafe condition.
12. Do not use this equipment for other than intended use.
13. When relamping, only use lamps specified in the fixture.
14. Allow battery to charge for 24 hours before first use.

SAVE THESE INSTRUCTIONS

Installation Instructions

i IMPORTANT: Install product no higher than the maximum mounting height of 10 feet from the floor.

1. Turn off AC power.
2. Using a flat head screwdriver, insert the blade into the slot and gently pry off the Exit face plate and the front cover of the lamp head housing (see figure 1).

Wall Mount (see figure 2)

- a. Remove the two keyhole and the appropriate knockouts in the power pack back plate to mount to a standard junction box.
- b. Feed unit AC supply wires through the center hole of the back plate.
- c. Mount and secure the back plate to the junction box.
- d. Secure the power pack back plate to the wall using the two key-holes.
- e. To connect AC supply see "ELECTRICAL CONNECTIONS".

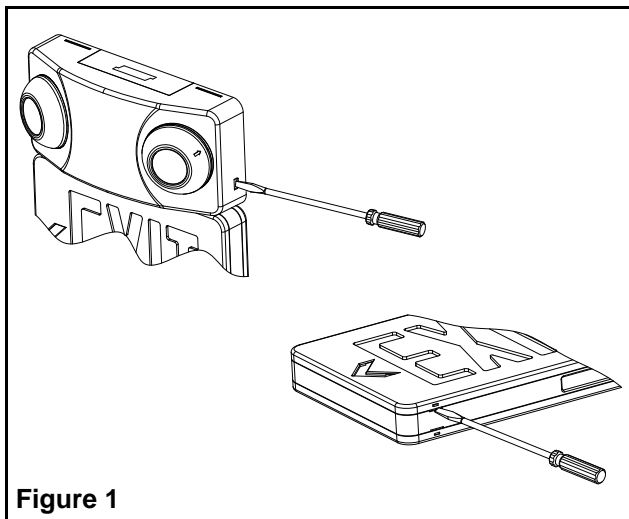


Figure 1

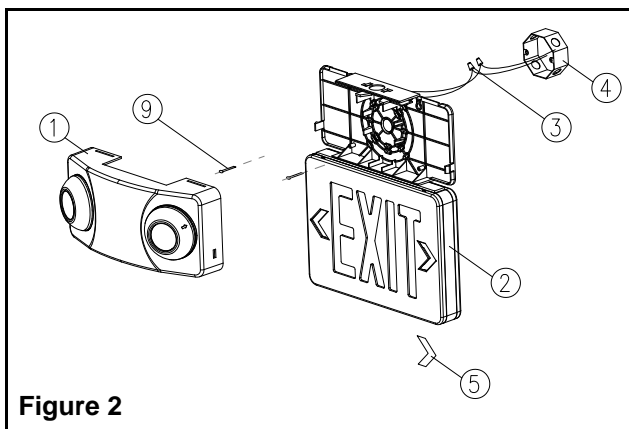


Figure 2

Parts List

- | | |
|--------------------------------|-----------------------------------|
| 1. Power pack | 6. Canopy screws |
| 2. Exit housing | 7. Canopy |
| 3. Wire nuts | 8. Crossbar |
| 4. Junction box (not provided) | 9. Crossbar screws (not provided) |
| 5. Snap-in directional arrow | 10. Holding wire (not shown) |

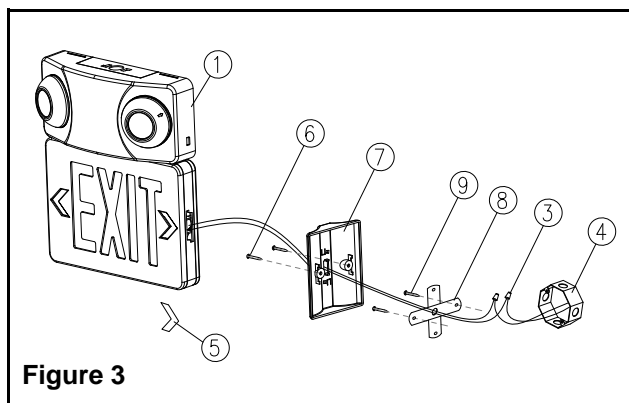


Figure 3

End Mount (see figure 3)

- a. Attach crossbar to junction box. Set the crossbar so that the longer blade is touching the junction box.
- b. If the unit is a double face, remove the back plate and install the second face plate provided.
- c. Feed unit AC supply leads through bottom center hole of the power pack into the Exit housing.
- d. Feed unit AC supply leads through the side hole where the canopy is attached and make sure to secure the wires into the wire guides located on the inside edges of the Exit housing.
- e. Feed unit wires through canopy hole and attach the canopy to the side of the unit (see figure 5).
- f. To connect AC supply see "ELECTRICAL CONNECTIONS".

Ceiling Mounting (see figure 4)

- a. Attach crossbar to junction box. Set the crossbar so that the longer blade is touching the junction box.
- b. If the unit is a double face, remove the back plate and install the second face plate provided.
- c. Feed unit AC supply leads through power pack top hole.
- d. Feed unit wires through canopy hole and attach the canopy to the top of the unit (see figure 5).
- e. To connect AC supply see "ELECTRICAL CONNECTIONS".

Electrical Connections

Make the proper connections (see figure 6):

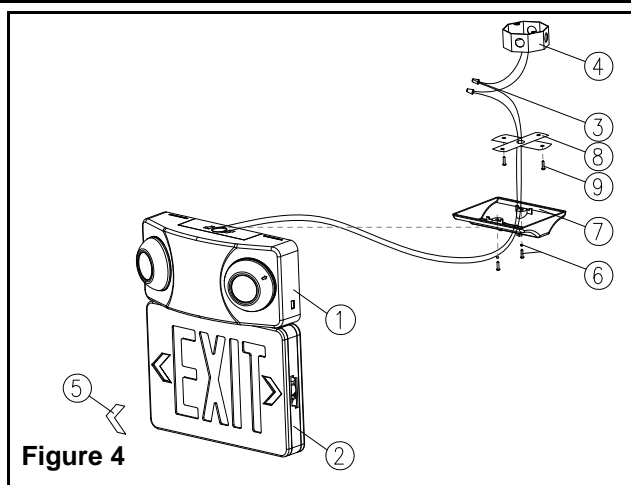
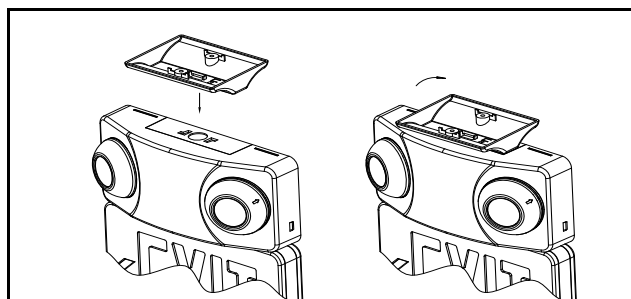
- For 120VAC, connect the black wire (120Vac) and white wire (neutral) to the building utility.
 - For 277VAC, connect the orange wire (277Vac) and white wire (neutral) to the building utility.
3. Feed wires back into the junction box and secure the canopy to the crossbar so that the canopy is tight against the wall or ceiling.
 4. Snap arrows into Exit door as required (see figure 4).
 5. Snap supplied cover into open hole.
 6. Snap Exit door to housing, top first and then bottom.
 7. When ready to energize AC, connect battery connector together.
 8. Snap power pack cover onto power pack back plate.

Manual Testing (see figure 7)

Press test switch, the pilot light will turn off and LED heads will turn on. Release test switch, pilot light will turn on and the LED heads will turn off.

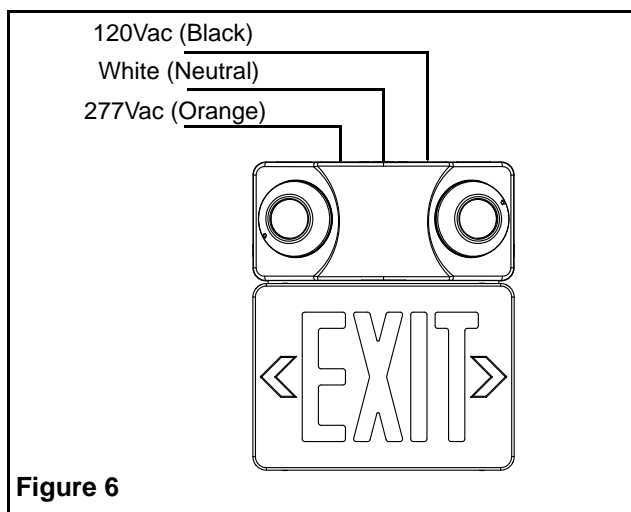
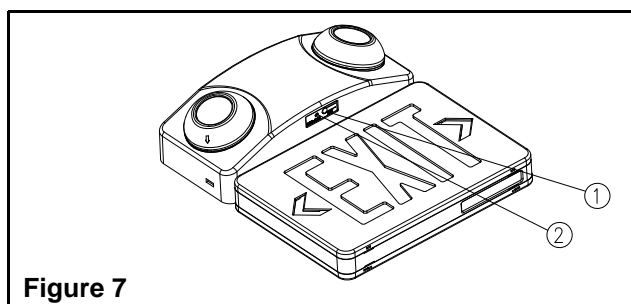
Maintenance

None required. Replace the battery as needed according to ambient conditions. Equipment must be tested regularly in accordance with local codes.


Figure 4


Insert canopy into housing at 20 degree angle and twist. Quick snap is now locked firmly.

Caution: Trying to remove the canopy after it is locked into place may cause damage.

Figure 5

Figure 6

Figure 7