



UX4 LED STEEL EXIT & COMBINATION SERIES

Steel LED Exit Signs and Combination Units

FEATURES

Construction

- Frame, faceplate and backplate are made of 20 gauge steel, canopy is made of Thermoplastic
- 6 inch EXIT lettering legend, available in Red or Green

Mounting

- Surface Mount
- Model includes (2) faceplates, (1) backplate and (1) canopy
- Canopy included for end or ceiling mount applications
- Backplate features universal knockouts for a standard 4 inch junction box, used in wall mount applications

Finishes

- Choice of finishes: white or black
- Optional brushed aluminum faceplate available

Chevrons

- Faceplate includes two field-selectable, knock-out chevron indicators

Exit Legend LEDs

- Red or Green Long-Life Light Emitting Diodes (LED) illumination

Remote Capacity/Combination units

- UX4E Model, Lead-Calcium battery, 6V-30W total battery capacity
- UX4EN Model, Nickel-Cadmium battery, 6V-24W total battery capacity
- UX4EX Model Nickel-Cadmium battery, 6V-20W total battery capacity

Exit sign

- UX4 Model, Exit Sign, AC-Only, 120/277VAC, 50/60Hz
- UX4N Model, Nickel-Cadmium battery

Lamp Head Source

- Choice of Wedge Base Incandescent 6V up to 9W
- Choice of Bi-Pin Halogen 6V up to 12W
- Choice of MR16 6V up to 10W

Self-Diagnostics

- Self-Powered E and EX models available with or without Improved Diagnostics

Special Wording Panels

- Available. Contact your sales representative with your design requirements

Approvals

- Listed to UL 924 Standards
- Meets NFPA101 (Life Safety Code), NFPA 70-NEC and OSHA illumination standards

Warranty

- Three-Year full warranty (subject to proper installation and maintenance)

ACCESSORIES

(Order as a separate item)

White Pendant	PW-*
Black Pendant	PB-*
Wire Guard (Exit-Ceiling or End Mount)	WG5-L
Wire Guard (Exit-Wall Mount)	WG12-L
Wire Guard (Combination Unit-Wall Mount)	WG6-L

*Specify Pendant length (12", 24", 36" etc.)

SPECIFICATIONS

Supply and Install **Lightalarms® UX4 LED Steel Exit & Combination Series.**

The Exit Sign or combination unit shall be standard with (2) faceplates, (1) backplate and (1) canopy.

The frame, faceplate, and backplate shall be constructed of 20 gauge steel, canopy shall be Thermoplastic. Frame, faceplate, backplate and canopy shall be matching in color, (W) white or (B) black. Faceplate shall be (W) white or (B) black with a (R) red or (G) green legend.

The faceplate shall come standard with two field-selectable, removable knockout chevron indicators. The Exit Sign or Combination Unit shall be suitable for surface mount, wall, end or ceiling installations.

The Exit illumination source shall be Light Emitting Diodes (LED) in (R) red or (G) green color. The LEDs shall provide illumination in normal and emergency operation mode. The LEDs shall be mounted inside the Exit Sign housing. A color matching LED sensitive legend diffuser of (R) red or (G) green, shall be mounted in front of the LEDs to provide the 6" high by 3/4" stroke EXIT letters with even illumination and no visible LEDs or hot spots.

AC-Only UX4 models shall be 120/277VAC, 60Hz, with a power consumption of less than 1.5W and also wired for AC/DC 6VDC to 24VDC operation.

Self-Powered UX4N models shall be 120/277VAC, 60Hz, with a power consumption of less than 3W and supplied with a sealed maintenance-free Nickel-Cadmium battery, providing at least 90 minutes, illumination upon AC failure.

Combination UX4E models shall be 120/277VAC, 60Hz, with power consumption of less than 5W and supplied with a sealed maintenance-free 6V-30W load capacity Lead-Calcium battery providing at least 90 minutes, illumination upon AC failure.

Combination models UX4EN model shall be 120/277VAC, 60Hz, with a power consumption of less than 5W and supplied with a sealed maintenance-free 6V-24W load capacity Nickel-Cadmium battery providing at least 90 minutes, illumination upon AC failure.

The Exit Sign shall be tested by Underwriters Laboratories, listed to UL 924 standards. The Exit Sign or Combination Unit shall meet NFPA101 (Life Safety Code), NFPA 70-NEC and OSHA illumination standards. Includes a three-year full warranty.

The Exit Sign or Combination Unit shall be **Lightalarms® Model** _____.

POWER CONSUMPTION CHART

MODEL	AC SPECS		DC SPECS	
AC-Only	120/277VAC, 50/60Hz	Less than 1.5W	-	-
AC/DC	120/277VAC, 50/60Hz	Less than 1.5W	6 to 24VDC	Less than 1.5W
Self-Powered	120/277VAC, 50/60Hz	Less than 3W	Nickel-Cadmium	Minimum 90 minutes
Combination	120/277VAC, 50/60Hz	Less than 5W	See Unit Rating Chart	

UNIT RATING CHART (Combination Unit)

BATTERY TYPE	DC VOLTAGE (VOLTS)	MODEL	WATT TO 87.5% OF RATED BATTERY VOLTAGE*			
			1-1/2 hrs.	2 hrs.	3 hrs.	4 hrs.
Lead-Calcium	6	UX4E	30	20	14	10
Nickel-Cadmium		UX4EN	24	18	12	9

*National Electrical Code Specification

20 gauge steel LED Exit Sign and Combination Unit designed for easy installation. Energy efficient and rugged in design.



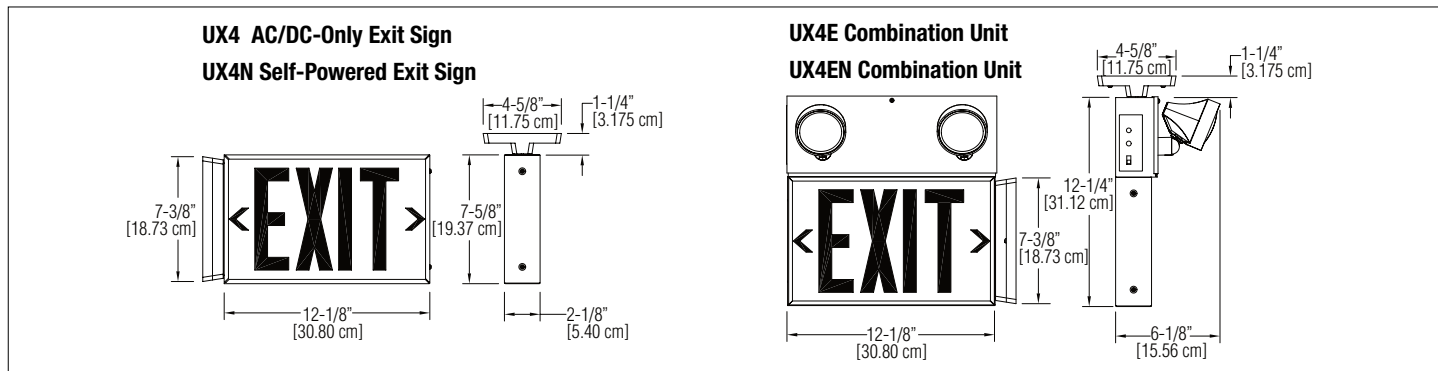
Shown with ELF2 (suffix 2M) Heads

TYPE _____
 CATALOG # _____

 NOTES _____

DIMENSIONS

Dimensions are approximate and subject to change.



ORDERING FORMAT

AC-only and Self-Powered Models

SERIES	BATTERY TYPE	BACKPLATE/FRAME COLOR	LEGEND/ FACEPLATE COLOR	LEGEND SOURCE	OPTIONS
UX4 = Universal (2) faceplates, (1) backplate and (1) canopy	Blank = AC-only N = Self-Powered	W = White B = Black	RW = Red/White RB = Red/Black RA = Red/Aluminum GW = Green/White GB = Green/Black GA = Green/Aluminum	LED = LED	Blank = No options -IDNA = Improved Diagnostics (non-audible) ¹ -DC = AC/DC 6V-24VDC -VR = Vandal Resistant Screws -LVR = Vandal Resistant Polycarbonate Screws & Lens -NEX = Nexus® Wired ¹ -NEXRF = Nexus® Wired ¹

EXAMPLE: UX4WRWLED

Combination Units

SERIES	UNIT TYPE	BACKPLATE/FRAME COLOR	LEGEND/ FACEPLATE COLOR	LEGEND SOURCE	LAMP HEAD SUFFIX	LAMP OPTIONS	OPTIONS
UX4 = Universal (2) faceplates, (1) backplate and (1) canopy	E = 6V-30W Lead-Calcium battery EN = 6V-24W Nickel-Cadmium battery EX = 6V-20W Nickel-Cadmium battery	W = White B = Black	RW = Red/White RB = Red/Black RA = Red/Aluminum GW = Green/White GB = Green/Black GA = Green/Aluminum	LED = LED	/0 = No heads /1L = (1) ELF645 head /2L = (2) ELF645 heads /1M = (1) ELF2 head /2M = (2) ELF2 heads /1ELF3 = (1) ELF3 head /2ELF3 = (2) ELF3 heads	Use with ELF645 (suffix 1L & 2L) Only L9 = 6V-9W Wedge Base Incandescent 4042 = 6V-12W Sealed Beam Incandescent H7553 = 6V-12W Sealed Beam Halogen Use with ELF2 (suffix 1M & 2M) Only L9 = 6V-9W Wedge Base Incandescent LH6 = 6V-12W Bin Pin Halogen Use with ELF3 (suffix 1ELF3 & 2ELF3) Only M10 = 6V-10W MR16 Halogen LD1 = 6V-4W MR16 LED	Blank = No Option -ID = Improved Diagnostics (audible) ¹ -IDNA = Improved Diagnostics (non-audible) ¹ -T1 = Time Delay 5 minutes -T2 = Time Delay 10 minutes -T3 = Time Delay 15 minutes -VR = Vandal Resistant Screws -LVR = Vandal Resistant Screws & Lens -NEX = Nexus® Wired ¹ (combo unit only) -NEXRF = Nexus® Wireless ¹ (combo unit only)

EXAMPLE: UX4EWRWLED/2LH7553