

# Series "Grande" - Thermoplastic LED Exit Sign

## AC, AC/DC or Self-Powered

### IMPORTANT SAFEGUARDS

When using electrical equipment, basic safety precautions should always be taken including the following:

### READ AND FOLLOW ALL SAFETY INSTRUCTIONS

1. Do not use outdoors.
2. Do not let power supply cords touch hot surfaces.
3. Do not mount near gas or electric heaters.
4. Equipment should be mounted in locations and at heights where it will not readily be subjected to tampering by unauthorized personnel.
5. The use of accessory equipment not recommended by the manufacturer may cause an unsafe condition.
6. Do not use this equipment for other than intended use.
7. All servicing should be performed by qualified service personnel.

### SAVE THESE INSTRUCTIONS

#### Installation Instructions

1. Turn off AC power.
2. Route AC unswitched circuit of rated voltage into electrical box and leave 6" of wire length.
3. Remove the exit door using a coin or a screwdriver at the top or bottom of the door.
4. Determine the mounting position (end, wall or ceiling). Note: canopy is required for end or ceiling mount.
5. Our system can accept input voltages of 120 VAC or 277 VAC. Therefore, connect the black (120 VAC) or orange (277 VAC) and white (common) leads to the building utility. Connect the Green wire to the ground. Unused primary wire must be insulated to prevent shorting

#### Wall mounting

- a. No canopy required. With the help of a flat head screwdriver, knock out the proper hole pattern in the back cover to mount to a standard junction box (See Fig. 2). Feed the AC supply leads out through the center hole and make the proper connections. Feed the excess wire into the junction box and secure the back cover to the junction box using the junction box screws. Proceed to step 6.

#### End or ceiling mount

- a. Canopy required. Attach the spider plate to electrical box with the junction box screws. Remove appropriate hole plug. Feed AC supply leads through side or top opening and then through canopy. Snap canopy on top or side of frame (See Fig. 3). Screw canopy to frame(11). In the case where a canopy lock is supplied, you may refrain from screwing the canopy to the frame and simply snap the

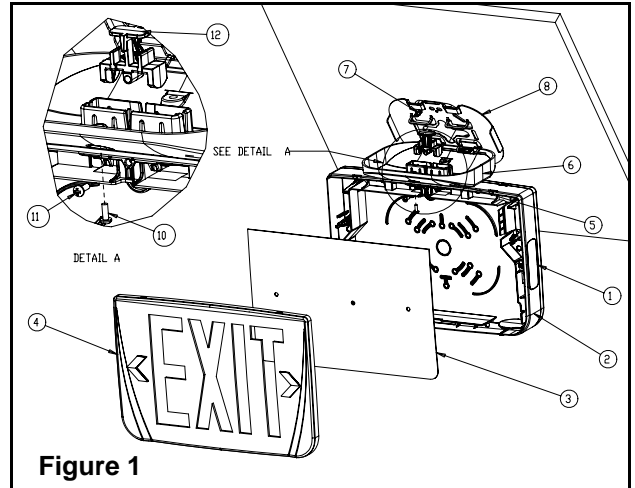


Figure 1

#### Part List

- |                         |                                       |
|-------------------------|---------------------------------------|
| 1. Back plate           | 7. Junction box screws (not provided) |
| 2. Frame                | 8. Spider plate                       |
| 3. Diffuser panel       | 9. Junction box                       |
| 4. Exit door            | 10. Canopy plate screw                |
| 5. Hole plug for Canopy | 11. Canopy housing screw              |
| 6. Canopy               | 12. Canopy lock                       |

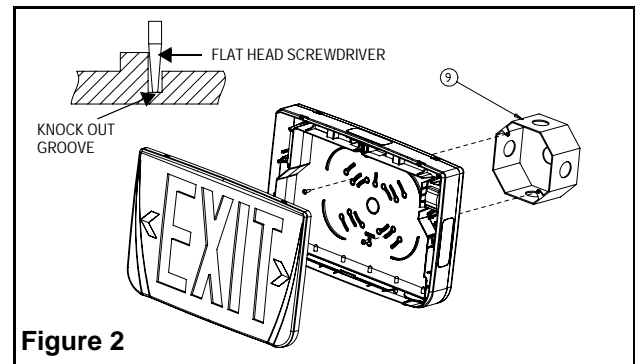


Figure 2

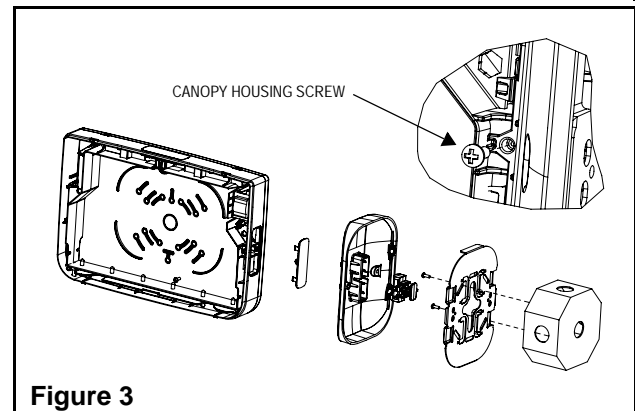


Figure 3

canopy lock to canopy. However, for applications having a greater risk of exposure to abnormal impacts, we suggest to always use the canopy housing screw(11) (fig. 1 and 3). Make the proper wire connections. The "Quick-install" canopy is equipped with ribs allowing you to hang the unit on the spider plate to facilitate wiring (See fig.4). Feed the excess wire into the junction box. Unhook unit and slide ribs on canopy into designated notches on the spider plate (See fig. 4).

Secure the canopy to the junction box using the canopy screw(s) provided(10).

6. Remove the appropriate chevron(s) on the exit door by holding sign with both hands. Push chevrons from the inside with thumb (See Fig. 5). You may need to unsnap the diffuser panel to do so.
7. Connect the battery.
8. Reinstall exit door(s).
9. Energize AC. Sign will illuminate.

## AC/DC Models

Refer to Fig. 6 for AC & DC wiring.

**For DC portion** — Wire the Red lead (+) to the positive DC input voltage and the Blue Lead (-) to the negative DC input voltage. Note: DC input voltage range is 6 volts to 48 volts.

## Self-Powered Models

### Manual testing

Press test switch. Legend will flicker, but remain lit. On release, external green LED will illuminate, and automatic charger will restore battery to full charge.

### Automatic testing and diagnostics, optional

The models with the automatic testing and diagnostic option include a micro-controller which self-tests the unit on a monthly basis and identifies as well displays failures of the electrical components: battery, battery charger, lamps, LEDs.

#### Self-test

The self-test is performed every 30 days for 1 minute, every 6 months for 30 minutes, and annually for 90 minutes.

#### Diagnostic function

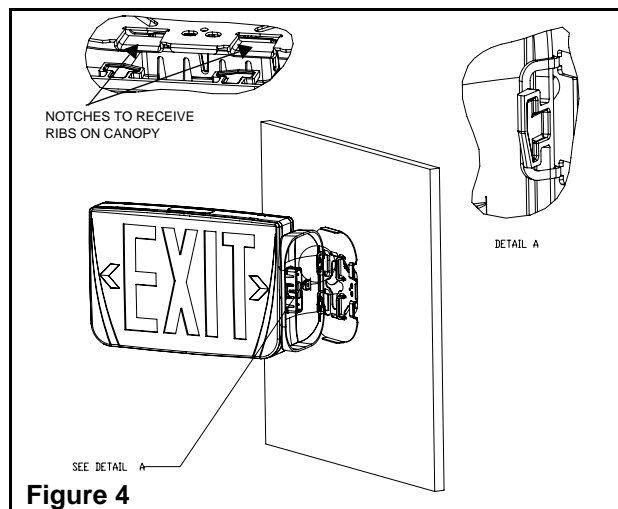
The diagnostic function uses an external green LED indicator. Service is required if the green LED blinks indicating that an alarm condition is detected ( See Fig. 7).

o	Green	Steady On	AC On
-o	Green	One Blink	In Test
o	Red	Steady On	Battery Disconnect
-o	Red	One Blink	Battery Failure
o-o	Red	Two Blinks	Charger Failure
o-o-o-o	Red	Four Blinks	LED Strip Failure

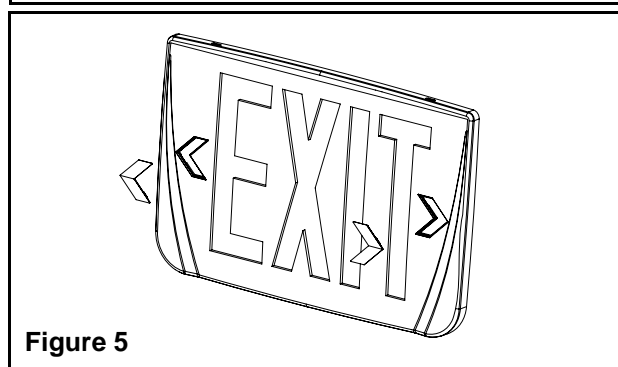
## Maintenance

None required. If AC supply to the unit is to be disconnected for 2 months or more, the battery must be disconnected, Self-Powered Models only.

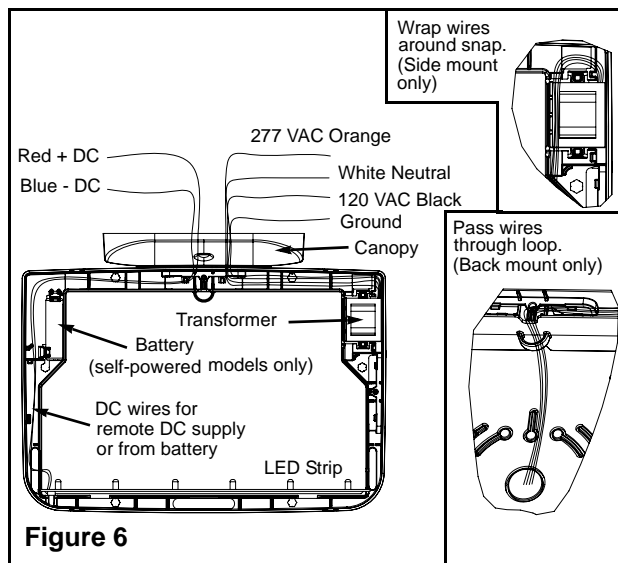
**Note** — NiCd (Nickel Cadmium) batteries are shipped discharged and may require 10 minutes of connection to AC supply before start-up test procedure, and 96 hours to reach full charge.



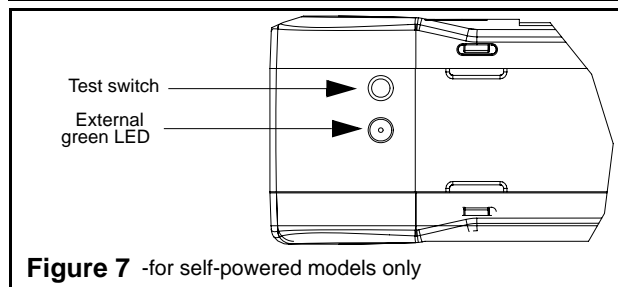
**Figure 4**



**Figure 5**



**Figure 6**



**Figure 7** -for self-powered models only