

Grande™ Exit Series

Specification-grade, LED, thermoplastic, snap together exit sign



The Grande™ family offers complete emergency lighting solutions where style and design are required in an economical package.

Construction

- Mist white or black UV stabilized thermoplastic enclosure
- 6 inch EXIT lettering legend, available in red or green
- Field-selectable chevrons

Mounting

- Surface mount
- Canopy included for end or ceiling mount applications
- Universal J-Box mounting

Special Wording Panels

Available. Contact your sales representative with your design requirements

Grande™ Thermoplastic Family



Grande™
Combo series
PG. 36-37



Grande™ Compact
Battery series
PG. 80-81



Grande™
Battery series
PG. 82-83



ELF640 &
ELF650
Remote series
PG. 126-127

Electronics

- Optional Improved Diagnostics
- Optional Nexus® monitoring system
- 120/277 60Hz

Approvals

- UL 924 Listed
- Damp location 50°F to 104°F (10°C to 40°C)
- Meets NFPA101 (Life Safety Code), NFPA 70 NEC, OSHA illumination standards

Warranty (subject to proper installation and maintenance)

Five-year limited warranty

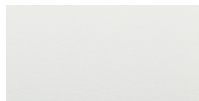
Detailed warranty terms located on **page 182** or online at: www.lightalarms.com



Housing color

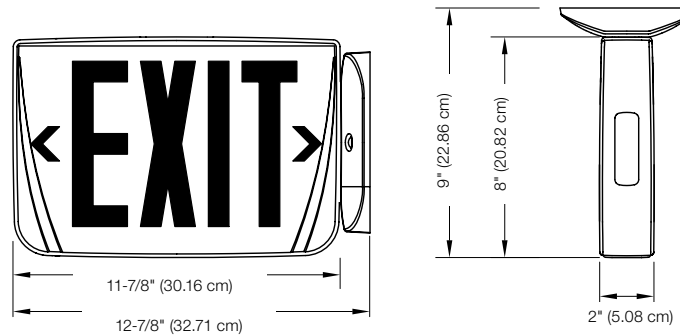


Black



White

Dimensions (Dimensions are approximate and subject to change):



Power consumption chart

Model	AC Specs	DC Specs
AC-Only	120/277VAC, 60Hz (Less than 2.5W)	-
AC / DC-remote	120/277VAC, 60Hz (Less than 2W)	6 to 48VDC (Less than 1.5W)
Self-powered	120/277VAC, 60Hz (Less than 3.3W)	Nickel-Cadmium battery (Min . 90 minutes)
Self-powered with Diagnostic	120/277VAC, 60Hz (Less than 2.8W)	Nickel-Cadmium battery (Min . 90 minutes)

Accessories (Order as a separate item)

Description	Product Code
Wire guard, Back mount	WG1-L
Wire guard (ceiling mount and end mount)	WG5-L
Pendant white	GRA-P*-W
Pendant black	GRA-P*-B

*Specify pendant length (12", 24", 36" etc)

Ordering format

Series	Unit type	Legend color/ # of face	Housing color	Options
GRAN	AC = AC-Only (120/277V) DC = 120/277VAC & 6 to 48VDC 21 = Dual AC circuit (2x120V) 22 = Dual AC circuit (2x277V) N = Self-powered Nickel-Cadmium ND = Self-powered with Improved Diagnostics circuitry -NEX = Nexus® wired ¹ -NEXRF = Nexus® wireless ¹	R = Red universal G = Green universal R1 = Red single face ³ R2 = Red double face ³ G1 = Green single face ³ G2 = Green double face ³ Open face ² RW = Red on white GW = Green on white Universal = (2) faceplates, (1) backplate and (1) canopy Single face = (1) faceplate, (1) backplate and (1) canopy Double face = (2) faceplates and (1) canopy	W = White B = Black	BA = Brushed aluminum exit stencil -FAF = Fire alarm activated flasher (AC, DC, 21,22 or ND models only) -FB = Flasher buzzer (ND model only) -FBF = Flasher Buzzer + Fire alarm activated flasher (ND model only) -FL = Flasher (ND model only) -LVR1 = Polycarbonate shield with tamper proof screws -VR = Vandal-resistant screws

Example: GRANACRW

¹ Consult your sales representative

² Open face required with special wording legends

³ Specify single or double for LVR1 or VR options only