



GALAXY™ XDPC SERIES

Die-Cast Aluminum Remote Capacity Exit Sign

FEATURES

Construction

- Frame, faceplate, backplate and canopy are made of die-cast aluminum
- 6 inch EXIT lettering legend, available in Red or Green

Mounting

- Surface Mount
- Single face model includes (1) faceplate, (1) back plate and (1) canopy
- Double face model includes (2) faceplates and (1) canopy
- Canopy included for wall, end or ceiling mount applications

Finishes

- Choice of finishes: white, black or brushed aluminum

Chevrons

- Faceplate includes two field-selectable, knock-out chevron indicators

LEDs

- Red or Green Long-Life Light Emitting Diodes (LED) illumination

Remote Capacity

- PCL Model, (Lead-Calcium battery) 6V-9W remote load capacity (20+ hours of operation with no remote load connected)
- PCN Model, (Nickel-Metal Hydride battery) 6V-12W remote load capacity (20+ hours of operation with no remote load connected)
- PCX Model, (Nickel-Metal Hydride battery) 6V-24W remote load capacity (40+ hours of operation with no remote load connected)

Self-Diagnostics

- Self-Powered models available with or without Improved Diagnostics

Special Wording Panels

- Available. Contact your sales representative with your design requirements

Approvals

- Listed to UL 924 Standards
- Option: UL listed for Damp location (32°F to 122°F, 0°C to 50°C)
- Meets NFPA101 (Life Safety Code), NFPA 70 NEC, OSHA illumination standards

Warranty

- Five-Year full warranty (subject to proper installation and maintenance)

ACCESSORIES

Wire Guard, Back Mount	WG13-L
Wire Guard, Ceiling Mount	WG14-L

SPECIFICATIONS

Supply and Install **Lightalarms® Galaxy™ XD Series**.

The Exit Sign specified as single face shall be standard with (1) faceplate, (1) backplate and (1) canopy and specified as double face shall be standard with (2) faceplates and (1) canopy.

The frame, faceplate, backplate and canopy shall be constructed of die-cast aluminum. Frame, backplate and canopy shall be matching in color, (W) white (B) black or (A) brushed aluminum Faceplate shall be (W) white, (B) black or (A) brushed aluminum with a (R) red or (G) green legend.

Snap together design, allows for no screws being necessary to hold the faceplate(s) or backplate together. The faceplate shall come standard with two field-selectable, removable knockout chevron indicators. The single face Exit Sign shall be suitable for surface mount, wall, end or ceiling installations. The double face Exit Sign shall be suitable for surface mount, end or ceiling installations.

The illumination source shall be Light Emitting Diodes (LED) in (R) red or (G) green color. The LEDs shall provide illumination in normal and emergency operation mode. The LEDs shall be mounted inside the Exit Sign housing. A color matching LED sensitive legend diffuser of (R) red or (G) green, shall be mounted in front of the LEDs to provide the 6" high by 3/4" stroke EXIT letters with even illumination and no visible LEDs or hot spots.

PCL Self-Powered models shall be 120/277VAC, 60Hz, 0.13/0.06Amp and supplied with a sealed maintenance-free Lead-Calcium battery, with 6V-9W remote capacity, providing at least 90 minutes illumination upon AC failure.

PCN Self-Powered models shall be 120/277VAC, 60Hz, and supplied with a sealed maintenance-free Nickel-Metal Hydride battery, with 6V-12W remote capacity, providing at least 90 minutes illumination upon AC failure.

PCX Self-Powered models shall be 120/277VAC, 60Hz, 0.13/0.06Amp and supplied with a sealed maintenance-free Nickel-Metal Hydride battery, with 6V-24W remote capacity, providing at least 90 minutes illumination upon AC failure.

When specified, the unit equipment with Improved Diagnostics shall include a self-test and diagnostic function, managed by a micro-controller; it shall execute automatic tests for one minute every 30 days, 30 minutes every 60 days and 90 minutes annually. A diagnostic circuit shall continuously monitor the performance of the battery, charger module and LED lamps. If a fault is indicated, the external service required indicator will illuminate.

The Exit Sign shall be tested by the Underwriters Laboratories, listed to UL 924 standards, and UL listed for Damp location (32°F to 122°F, 0°C to 50°C). The Exit Sign shall meet NFPA101 (Life Safety Code), NFPA 70-NEC and OSHA illumination standards. Includes a five-year full warranty.

The Exit Sign shall be **Lightalarms® Model** _____.

Self-Powered LED Exit Signs
with excess battery capacity to power
remote emergency head or Exit Signs



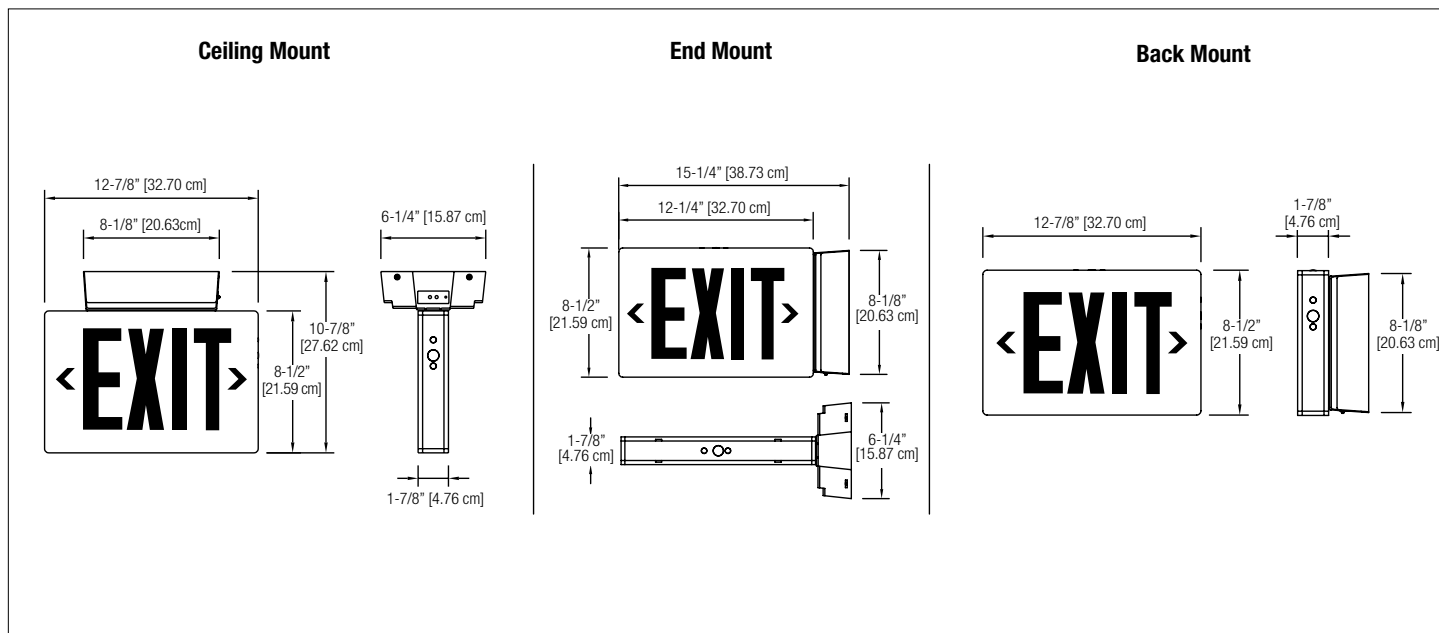
TYPE _____

CATALOG # _____

NOTES _____

DIMENSIONS

Dimensions are approximate and subject to change.



POWER CONSUMPTION/UNIT RATING CHART

SERIES	AC SPECS		DC SPECS - WATTS TO 87.5% OF RATED BATTERY VOLTAGE*					
	AC Input	Maximum	Voltage	Battery	1-1/2 hrs.	2 hrs.	3 hrs.	4 hrs.
XDPC	120/277VAC, 60Hz	0.13/0.06A 15W	6V	Lead-Calcium	9	-	-	-
XDPCN			6V	Nickel-Metal Hydride	12	9	-	-
XDPC			6V	Nickel-Metal Hydride	24	18	12	9

*National Electrical Code Specification

ORDERING FORMAT

NO. OF FACE	SERIES	BATTERY	BACKPLATE/FRAME COLOR	LEGEND/FACEPLATE COLOR	OPTIONS
1= Single face 2= Double face	XDPC= LED Exit	Lead-Calcium L= 6V-9W remote capacity Nickel Metal Hydride N= 6V-12W remote capacity X= 6V-24W remote capacity	B = Black W = White A = Brushed Aluminum	RB = Red/Black GB = Green/Black RW = Red/White GW = Green/White RA = Red/Brushed Aluminum GA = Green/Brushed Aluminum	Blank = No options -ID = Improved Diagnostics (audible) -IDNA = Improved Diagnostics (non-audible) -T1 = Time Delay (5 minutes) ¹ -T2 = Time Delay (10 minutes) ¹ -T3 = Time Delay (15 minutes) ¹ -FB = Flasher Buzzer ² -FAF = Fire Alarm Flasher ² -DL = Damp location -VR = Vandal Resistant Screws -LVR = Vandal Resistant Polycarbonate lens and screws

¹ Comes standard with ID and IDNA options

² Not available with ID and IDNA options

EXAMPLE: 2XDPCLBRAIDNA