

Genesis™ GX & GXE Series

Die-cast aluminum LED exit sign



Construction

- Faceplate, backplate and canopy are made of die-cast aluminum
- 6 inch EXIT lettering legend, available in red or green
- 8 inch EXIT lettering legend, available in red
- Choice of finishes: white, black, brushed aluminum or dark bronze

Mounting

- Surface mount
- Canopy included for end or ceiling mount applications
- Universal J-Box mounting

Special Wording Panel

Available. Contact your sales representative with your design requirements

Electronics

- Standard Improved Diagnostics on GXE
- Optional Nexus® monitoring system
- 120-277 60Hz

Approvals

- CSA-US (To UL 924 standards)
- Damp location optional 50°F to 104°F (10°C to 40°C)
- Meets NFPA101 (Life Safety Code), NFPA 70 NEC, OSHA illumination standards

Warranty (subject to proper installation and maintenance)

Five-year limited warranty

Detailed warranty terms located on **page 182** or online at: www.lightalarms.com

nexus



Power consumption chart

Model (6 inch Exit legend)	AC Specs	DC Specs
AC-only	120/347VAC, 50/60Hz (1.25W)	–
AC/DC	120/347VAC, 50/60Hz (1.25W)	6 to 48VDC (Less than 1.5W)
Self-powered	120/347VAC, 50/60Hz (1.6W)	Ni-Cd battery (Minimum of 90 minutes)
Model (8 inch Exit legend)	AC Specs	DC Specs
AC-only	120/347VAC, 50/60Hz (2.5W)	–
AC/DC	120/347VAC, 50/60Hz (2.5W)	6 to 48VDC (Less than 1.6W)
Self-powered	120/347VAC, 50/60Hz (2.9W)	Ni-Cd battery (Minimum of 90 minutes)

Frame/Face plate color



Brushed aluminum



Black

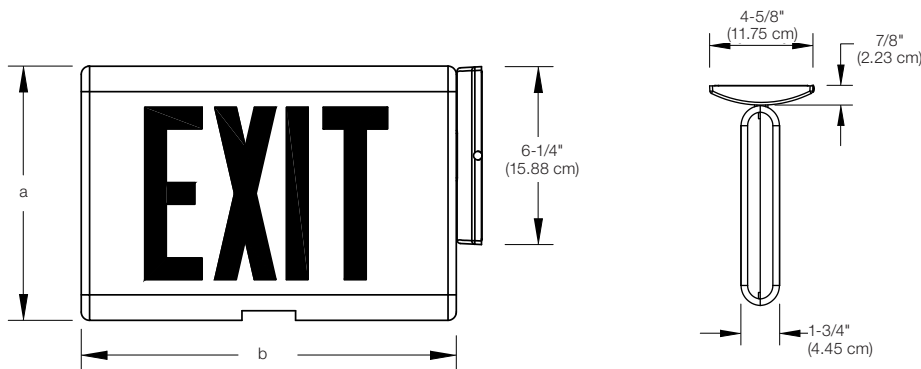


White



Dark bronze (painted)

Dimensions (Dimensions are approximate and subject to change):



Accessories (Order as a separate item)

Description	Product code
Pendant mount white	GPW-*
Pendant mount black	GPB-*
Pendant mount gray	GPA-*
Wire guard (wall mount) (6 in.)	WG13-L
Wire guard (ceiling mount) (6 in.)	WG14-L
Wire guard (end mount) (6 in.)	WG15-L
Vandal shield (wall mount)	VRC
Vandal shield, NEMA-4X (wall mount)	VRC-4X

* Specify pendant length (12", 24", 36", etc).

Housing cabinet

Letters	Dimension A	Dimension B
6" (15.24 cm)	8-7/8" (22.54 cm)	13-1/16" (33.18 cm)
8" (20.32 cm)	10-1/2" (26.67 cm)	15-1/4" (38.74 cm)

Ordering format

No. of faces	Series	Back plate/ Frame color	Legend color	Face plate color	Diagnostic option ¹	Options	Version
Blank = 6" single face	GX = AC/DC Only	A = Brushed aluminum	R = Red	A = Brushed aluminum	Blank = Standard	Blank = No option	-N ³
2 = 6" double face	GXE = Self-powered	B = Black	G = Green	B = Black	Improved Diagnostics (non-audible)	-DL = Damp location screws	
8 = 8" single face		W = White		W = White	NEX = Nexus® Wired ² (consult your sales representative)	-VR = Vandal resistant screws	
82 = 8" double face		Optional DB = Dark bronze (painted)		Optional DB = Dark bronze (painted)		-LVR = Vandal resistant polycarbonate lens and screws	
						-Y = Open faceplate and Special wording faceplate	
						-2 = 2 Circuit (120/120 or 277/277, AC-Only)	

Example: GXEARA-N

¹ Available with Self-Powered GXE exit only

² NEX is CSA-US approved only

³ Include on 6" models