

X402 LED AC-ONLY, AC/DC LED Exit Sign

Class I, Division 1 & 2, Groups C and D. Class II, Division 1 & 2, Groups E, F and G, Class III



The EXP Family



Construction

- Heavy-duty 20 gauge steel, baked enamel grey finish
- 6 inch EXIT lettering legend, available in red or green
- Field-selectable chevrons

Mounting

- Ceiling, wall or pendant
- 3/4 inch conduit entry

Approvals

- CSA-US (to UL 924 standards)
- Class I, Division 1&2, Groups C and D
- Class II, Division 1&2, Groups E, F and G
- Class III
- Complies with NEC, OSHA and NEMA for above classes and groups
- Suitable for wet and damp location
- Temperature code T6

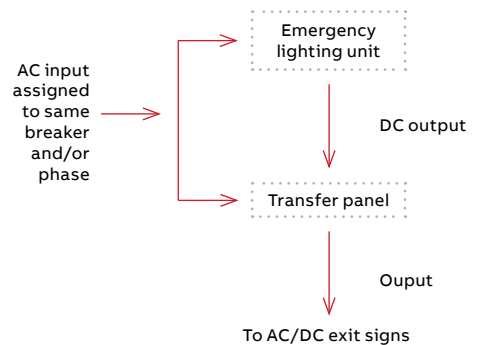
Warranty (subject to proper installation and maintenance)

Five-year full warranty

Detailed warranty terms located on [page 182](#) or online at: www.lightalarms.com

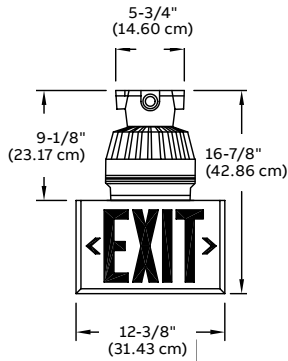
Transfer panel (to order separately with AC/DC exit signs)

- A transfer panel is only required for AC/DC hazardous location X402 exit signs that are under constant operation as required by code. Transfer panels are not designed to be installed/mounted in a hazardous or explosive area. Transfer panels are to be mounted remotely from these types of areas.
- Transfer panel available for up to 100W
- To order a transfer panel the following information is required:
 - 1) AC input: 120V or 277V
 - 2) DC voltage
 - 3) The total load wattage of all X402 lamp(s) to be supplied by transfer panel

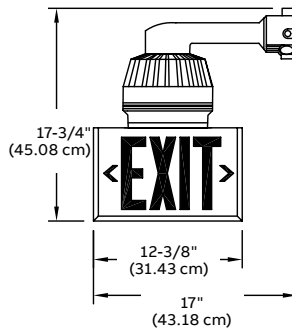


Dimensions (Dimensions are approximate and subject to change):

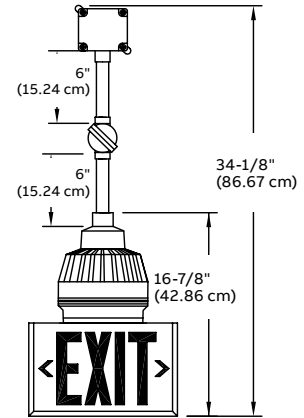
AC-Only and AC/DC Exit signs



Ceiling mount



Wall mount



Pendant mount

Power Consumption

120/277VAC, 60 Hz maximum 0.3/0.15A

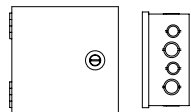
Ordering format – AC-Only or AC/DC exit sign face



Faces	Series	Mounting	Lamp	Legend color
Blank= Single face 2= Double face	X402= Exit series	C= Ceiling P= Pendant W= Wall	LED6= 6V-3W, LED LED12= 12V-3W, LED LED24= 24V-3W, LED LED120= 120V-5W, LED	R= Red G= Green

Example: AC-Only or AC/DC Exit sign: X402CLE6R

Ordering format – Transfer panel (Required for the operation of AC/DC exit sign)



AC voltage	DC voltage	Series	Watts
120= 120V AC 277= 277V AC	-6= 6V DC ¹ -12= 12V DC -24= 24V DC	-TS	-25= 25W -50= 50W -75= 75W -100= 100W

Example: Transfer Panel (needed for AC/DC operation): 120-12-TS-25

¹ 50W maximum