



# SEVERE™ XV & XVE SERIES

Nema 4X, Vandal Resistant and Harsh Environment Exit Sign

## FEATURES

### Construction

- Nema-4X certified for wall or ceiling mount
- Frame: Polyvinyl Chloride enclosure, fully gasketed around the lens, backplate and canopy to prevent water infiltration
- Faceplate: heavy-duty, vandal-resistant polycarbonate
- Backplate: heavy duty 1/8 inch thick aluminum
- Canopy: die-cast aluminum
- Stainless steel tamper-proof screws
- Magnetically operated test switch
- 6 inch EXIT lettering legend, available in Red or Green

### Mounting

- Surface Mount
- Single face model includes (1) faceplate, (1) back-plate and (1) canopy
- Double face model includes (2) faceplates and (1) canopy
- Canopy included for end or ceiling mount applications
- Backplate features universal knockouts for a standard 4 inch junction box, used in wall mount applications
- Frame includes 1/2 inch conduit knock-out entry on top and sides.

### Finishes

- Choice of finishes: white, black or gray
- Optional brushed aluminum faceplate stencil available

### Chevrons:

- Faceplate includes two field-selectable, knock-out chevron indicators

### LEDs

- Red or Green Long-Life Light Emitting Diodes (LED) illumination

### Self-Diagnostics

- Self-Powered models standard with Improved Diagnostics
- NEXUS® Wired or Wireless system compatible

### Special Wording Panels:

- Available. Contact your sales representative with your design requirements

### Approvals

- Listed to UL 924 Standards Damp location 50°F to 104°F (10°C to 40°C)
- Meets NFPA101 (Life Safety Code), NFPA 70 NEC, OSHA illumination standards
- NEMA-4X 25°F -4°F (-4°C or -20°C)\*
- Standard products AC-Only and AC/DC -40°F to 104°F (-40°C to 40°C) ;  
Optional: Cold Weather Self-Powered -4°F to 104°F (-20°C to 40°C)
- NSF Rated for food processing areas

\*Available in wall or ceiling mount only

### Warranty

- Five-Year full warranty (subject to proper installation and maintenance)

## ACCESSORIES

(Order as a separate item)

Convert single face to double face, red (in the field)	<b>DFKR-*</b>
Convert single face to double face, green (in the field)	<b>DFKG-*</b>
Tamper-Proof Bit (extra)	<b>690.0454-L</b>

\*Specify White (WT) or Black (BK) housing

## SPECIFICATIONS

Supply and Install Lightalarms® Severe™ XV, XVE Series.

The Exit Sign specified as single face shall be standard with (1) faceplate, (1) backplate and (1) canopy and specified as double face shall be standard with (2) faceplates and (1) canopy. Frame shall be fabricated of a Polyvinyl Chloride enclosure with full gasket around the lens, backplate and canopy. Faceplate lens shall be heavy-duty, vandal-resistant polycarbonate. Backplate shall be heavy duty 1/8 inch thick aluminum. Canopy shall be constructed of die-cast aluminum. Shall include a magnetically operated test switch. 6 inch EXIT lettering legend, available in Red or Green. Frame, backplate and canopy shall be matching in color, (W) white (B) black or (G) gray. Faceplate shall be (W) white, (B) black, (G) gray or optional (A) brushed aluminum with a (R) red or (G) green legend.

Stainless steel tamper-proof screws hold the faceplate(s) or backplate to the frame. The faceplate shall come standard with two field-selectable, removable knockout chevron indicators. The single face Exit Sign shall be suitable for surface mount, wall, end or ceiling installations. The double face Exit Sign shall be suitable for surface mount, end or ceiling installations.

The illumination source shall be Light Emitting Diodes (LED) in (R) red or (G) green color. The LEDs shall provide illumination in normal and emergency operation mode. The LEDs shall be mounted inside the Exit Sign housing. A color matching LED sensitive legend diffuser of (R) red or (G) green, shall be mounted in front of the LEDs to provide the 6" high by 3/4" stroke EXIT letters with even illumination and no visible LEDs or hot spots.

AC-Only models shall be 120-277VAC, 50/60Hz, universal, 2-wire input 120/277VAC, 50/60Hz.

AC/DC models shall be 120/277VAC, 50/60Hz, universal, 2-wire input.

120/277VAC, 50/60Hz and allows for DC operation from 6VDC to 24VDC with a DC draw of less than 1.5W.

Self-Powered models shall be 120-277VAC, 60Hz, (with a power consumption of 3.7) and supplied with a sealed maintenance-free Nickel-Cadmium battery, providing at least 90 minutes, illumination upon AC failure.

Self-Powered Exit Sign standard with Improved Diagnostics shall include a self-test and choice of silent or audible diagnostic function, managed by a micro-controller; it shall execute automatic tests for one minute every 30 days, 30 minutes every 60 days and 90 minutes annually. A diagnostic circuit shall continuously monitor the performance of the battery, charger module and LED lamps. When a fault is detected, the single service required indicator illuminates immediately. A detailed diagnostic display is located on the inside of the Exit Sign, out of sight from the general public. The detailed diagnostic display inside the Exit Sign will further indicate the nature of the fault.

The Exit Sign shall be tested by Underwriters Laboratories, listed to UL 924 standards, and UL listed for Damp location (50°F to 104°F, 10°C to 40°C) and meet NFPA101 (Life Safety Code), NFPA 70-NEC and OSHA illumination standards. Includes a five-year full warranty.

The Exit Sign shall be Lightalarms® Model \_\_\_\_\_.

## POWER CONSUMPTION CHART

MODEL	AC SPECS		DC SPECS	
AC-Only	120-277VAC, 50/60Hz	1.2W	-	-
AC/DC	120/277VAC, 50/60Hz	1.2W	6 to 24VDC	Less than 1.5W
Self-Powered	120-277VAC, 50/60Hz	3.7W	Ni-Cd battery	Min. 90 minutes

TYPE \_\_\_\_\_

CATALOG # \_\_\_\_\_

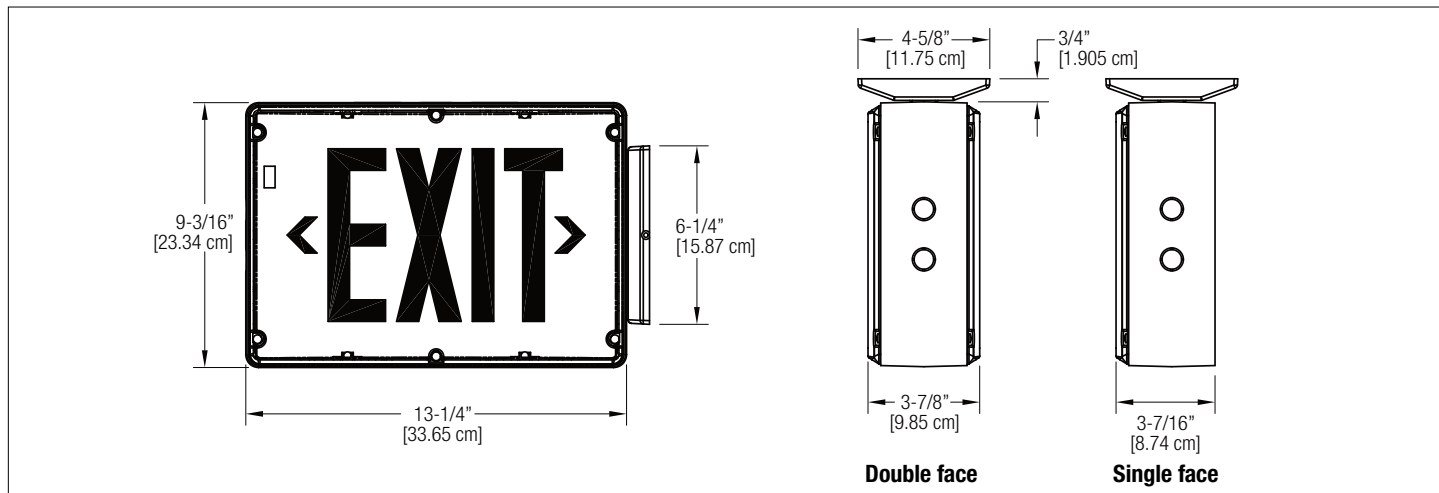
NOTES \_\_\_\_\_

Designed specifically for NEMA-4X and harsh environments such as transit platforms, parking garages, schools, wet and cold locations or locations prone to vandalism



**DIMENSIONS**

Dimensions are approximate and subject to change.



**ORDERING FORMAT**

HOUSING/FACE COLOR	SERIES	FACES	LEGEND COLOR	DIAGNOSTICS	HOUSING	OPTIONS
<b>Blank</b> = Black/Black <b>BW</b> = Black/White <b>BA</b> = Black/Aluminum <b>GB</b> = Gray/Black <b>GW</b> = Gray/White <b>GA</b> = Gray/Aluminum <b>WB</b> = White/Black <b>WW</b> = White/White <b>WA</b> = White/Aluminum	<b>XV</b> = AC-only <b>XVE</b> = Self-Powered Nickel-Cadmium battery	-1= Single face -2= Double face	-R= Red -G= Green	<b>Blank</b> = AC-Only Models <b>-D</b> = Improved Diagnostic (non-audible, standard) <sup>1</sup> <b>-NEX</b> = Nexus® Wired <sup>1</sup> <b>-NEXRF</b> = Nexus® Wireless <sup>1</sup>	<b>-4X</b> = NEMA-4X housing <sup>1</sup>	<b>Blank</b> = No options <b>-2</b> = Dual Circuit (120/120 or 277/277AC only) <sup>1</sup> <b>-DC</b> = AC/DC 6V to 24VDC <sup>1</sup> <b>-1</b> = Flasher only <sup>1</sup> <b>-F</b> = Fire alarm activated flasher <sup>1</sup> <b>-FB</b> = Flasher/buzzer (Self-Powered only) <sup>1</sup> <b>-CW</b> = Cold weather (Self-Powered -4°F to 104°F, -20°C to 40°C) (AC/DC -40°F to 104°F, -40°C to 40°C) <b>-Y</b> = Open face/special wording <b>-CM</b> = Canopy pendant mount
				<sup>1</sup> Available with Self-Powered models only.	<sup>1</sup> Available in wall or ceiling mount only	<sup>1</sup> Not available with -NEX or -NEXRF, Nexus® option.

EXAMPLE: BAXVE-1-R-D-4X-CW

**SEVERE™ NEMA-4X RATED AND NSF CERTIFIED FAMILY**

The Severe™ XV Series Exit Sign is a part of the Severe™ family of NEMA-4X rated emergency lighting products. The Severe™ family offers complete emergency lighting solutions for commercial and industrial environments where protection against humidity, dust, water infiltration and the risk of vandalism are specification criteria. These products deliver state-of-the-art illumination in a visually appealing package.



Severe™ XV Combination Series  
p.42



Severe™ V Battery Series  
p.90



Severe™ ELF650 Remote Series  
p.111