



Severe™ V Series Emergency Light Unit



WARNING:
Risk of Shock.
Disconnect Power before Installation.



IMPORTANT SAFEGUARDS


When using electrical equipment, basic safety precautions should always be followed including the following:

READ AND FOLLOW ALL SAFETY INSTRUCTIONS

1. All servicing should be performed by qualified service personnel.
2. All unused wires must be insulated to prevent shorting.
3. Do not let power supply cords touch hot surfaces.
4. Do not mount near gas or electric heaters.
5. Use caution when handling batteries.
6. Avoid possible shorting.
7. Equipment should be mounted in locations and at heights where it will not readily be subjected to tampering by unauthorized personnel.
8. The use of accessory equipment not recommended by the manufacturer may cause an unsafe condition.
9. Do not use this equipment for other than intended use.
10. Unit to be installed only as per configuration described in this instruction manual.


SAVE THESE INSTRUCTIONS

Installation Instructions



WARNING:

RISK OF PERSONAL INJURY AND UNIT DAMAGE. DO NOT INSTALL THIS UNIT ON A CEILING. PRODUCT WARRANTY IS VOID IF INSTALLED ON A CEILING.



IMPORTANT:

Install fixture/lamp type combination no higher than the maximum mounting heights as stipulated in the "Lamp Mounting Height Cross-reference Table" (P/N 750.1924). Refer to "Technical Information" section of our website.

1. Turn off unswitched AC power.
2. Open clear cover by removing the screws.
3. Remove the electronic module. Pull on the cover until snapping features disengage or use a screw driver by inserting it into the slots shown in figure 13 and prying the cover open.
4. Remove the battery(ies) in order to access the knockouts.
5. Install back plate:

Wall mounting on a junction (figure 2)

- a. Route unswitched AC circuit wires knockout into the junction box and leave 6" of wire length.
- b. Remove the knockouts needed to mount back plate. Considering the weight of the unit, it's recommended to use the keyholes for additional securing. For Nexus option, install the liquidtight®

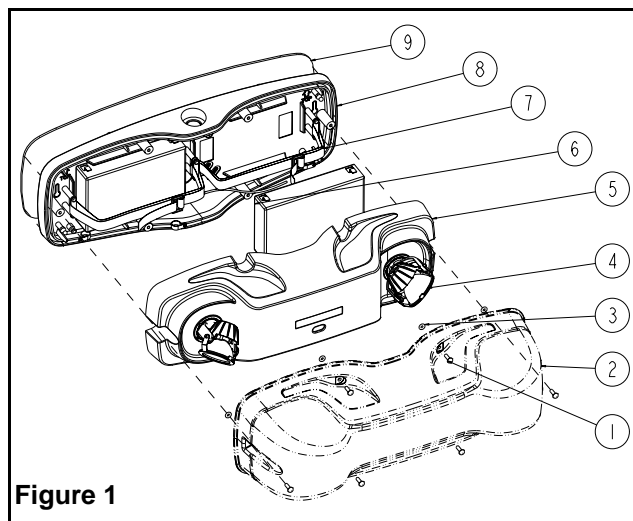


Figure 1

Parts List

- | | |
|-----------------------------|---------------------------------|
| 1. Tamper-proof screws (6x) | 9. Gasket |
| 2. Clear cover | 10. AC harness |
| 3. O-ring | 11. Ground wire |
| 4. Lamps | 12. Wire nut |
| 5. Electronic module | 13. J-box (not supplied) |
| 6. Battery | 14. J-box screws (not supplied) |
| 7. Battery strap or bracket | 15. Screw cover |
| 8. Backplate | |

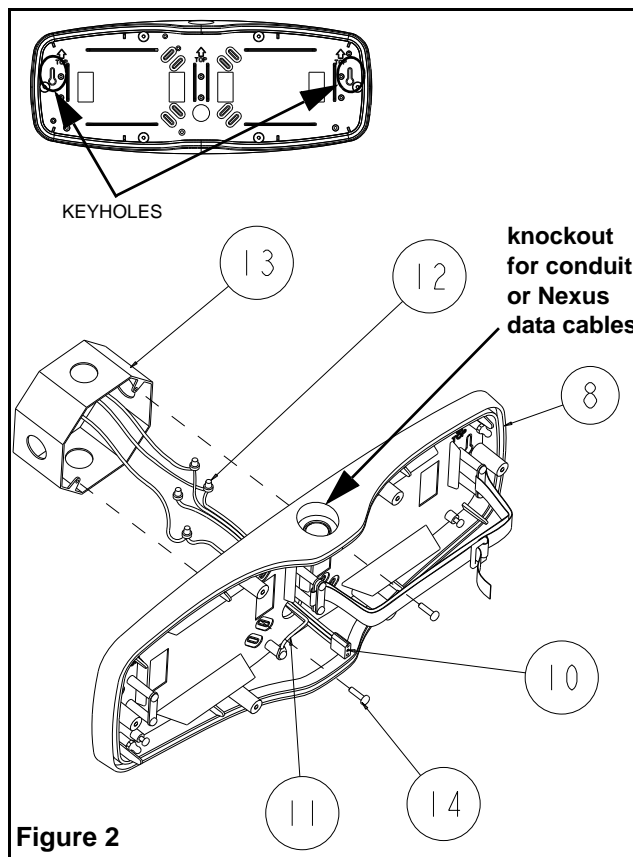


Figure 2

fitting, provided with the unit, on the backplate. Use the knockout located on the top or bottom of the unit.

- c. Remove AC harness from electronic module. Wire to AC circuit wires using wire nuts (see figure 2). Refer to hookup instructions on page 2.
- d. Install the gasket on the back plate. Feed AC harness and the ground through the large hole in the backplate (see figure 2). Mount to J-box using the J-box screws (not provided). J-box should be properly secured directly to a stud.

Note: When back mounting the unit on an uneven surface such as brick, silicone caulking should be used to prevent water from seeping in between the unit and the J-box.

Wall mounting with conduit

- a. Remove knockout on top of the backplate for conduit entry and keyhole knockouts to fix the backplate to the wall. For Nexus option, install the liquidtight® fitting, provided with the unit, on the bottom of the backplate. Don't route data cables with AC wires.
- b. Install a liquidtight® conduit fitting on the backplate. Conduit size: 1/2" NPT (not provided).
- c. Install the unit on the wall using screws (not provided).
- d. Connect the conduit to fitting and route unswitched AC circuit wires into the unit.
- e. Remove AC harness from electronic module. Wire to AC circuit wires using wire nuts. Refer to hookup instructions.

Pole or I-beam mounting (Option)

- a. Universal bracket (part 16 on figure 4) is an accessory and needs to be ordered separately. Remove knockout on top of the backplate for conduit entry.
- b. Install a liquidtight® conduit fitting on the backplate. Conduit size: 1/2" NPT (not provided).
- c. Install the universal bracket as shown in figure 4. Don't install the gasket (9). This type of installation is not NSF certified for food processing areas.
- d. Unit can be installed using steel banding for routing around the poles and I-beam. Standard banding 3/4" in width or less can be used (not provided). It can also be mounted on a Superstrut® metal framing (1 5/8" channel series) using 1/4" bolt (not provided). Holes are placed at 9" apart horizontally.
- e. Connect the conduit to fitting and route unswitched AC circuit wires into the unit.
- f. Remove AC harness from electronic module. Wire to AC circuit wires using wire nuts. Refer to hookup instructions.

Note: If the unit is to be mounted vertically (see fig. 5), the position of the lowest lamp must be at a minimum height of 7 feet 3 inches from floor level to respect the standardized light distribution.

6. Complete electrical connection:

Standard product:

- a. Reinstall battery(ies) one at a time and electronic module as shown in figure 6. See figure 7 for batteries wiring diagram.
- b. Connect transformer harness to AC harness.

Cold weather option:

- a. Install the gasket on the back plate.
- b. Connect battery heater (18) to thermostat (19) and to AC harness (10) (see figure 8).

INSTRUCTIONS - HOOKUP

- 120 VAC OPERATION -

White wire - Common
Black wire - 120V Line
Green wire - Ground

- 277 VAC OPERATION-

White wire - Common
Orange wire - 277V Line
Green wire - Ground

Note: Secure AC wires via wire clip after having completed connections.

Unused primary wire must be insulated to prevent shorting. Primary wire connections must be isolated from charger.

To ensure watertightness: install the o-ring inside the unit, as shown.

Put the screw in the lens hole and then install the o-ring.

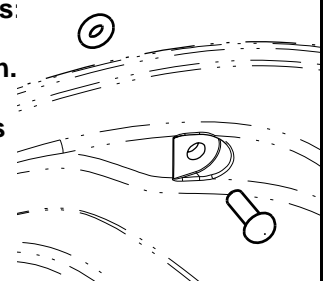


Figure 3

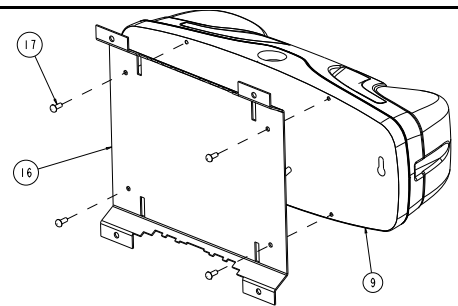


Figure 4

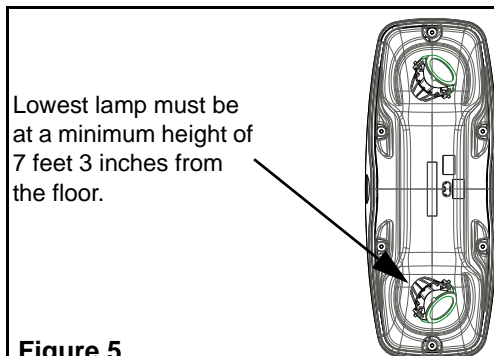


Figure 5

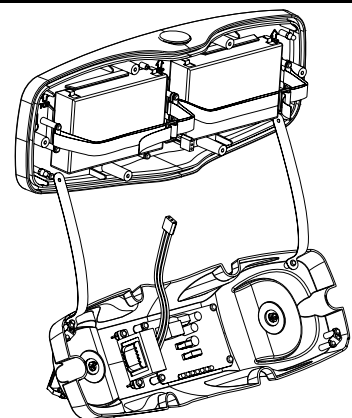


Figure 6

- c. Refer to figure 9 for 120VAC input voltage and to figure 10 for 277VAC. Use wire taps provided with the hardware kit to connect battery heater.
- d. Install to mounting surface.
- e. Place the battery(ies) back in place one at a time, secure each battery with a battery bracket and screws. Battery heater is placed between the battery and the backplate. See figure 7 for battery(ies) wiring diagram. Put the electronic module back in place as shown in figure 6.
- f. Connect transformer harness to AC harness.

NOTE: Secure AC wires via wire clip after having completed the connections.

Nexus:

For connections related to Nexus system, refer to Nexus Addendum.

- 7. For unit with remote capacity, connect remote heads to terminal block TB1 (see figure 12).
- 8. Snap electronic module on backplate.
- 9. Adjust lamp aiming.
- 10. Install the lens by using the 6 tamper-proof screws (1). To insure water tightness, o-rings (3) have to be installed from the inside (see figure 3).

The tamper-proof screws should be equally torqued to approximately 10 - 15 in-lbs (1.1 - 1.7 N-m).

- 11. For food processing areas, in order to avoid food accumulation, screw caps have to be installed (provided with the hardware kit).
- 12. Energize AC. Lamps will turn on for few minutes.
- 13. See page 4 for testing procedure.

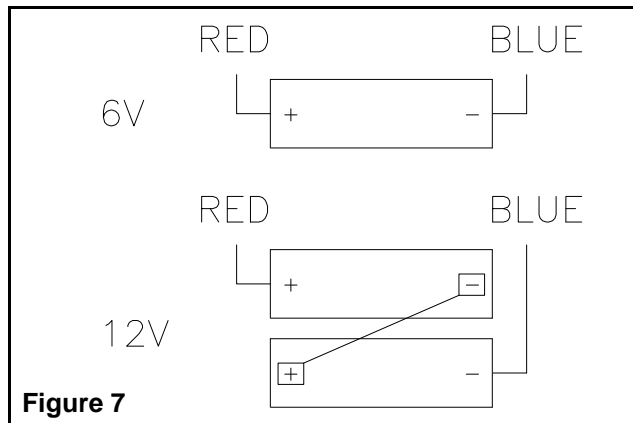


Figure 7

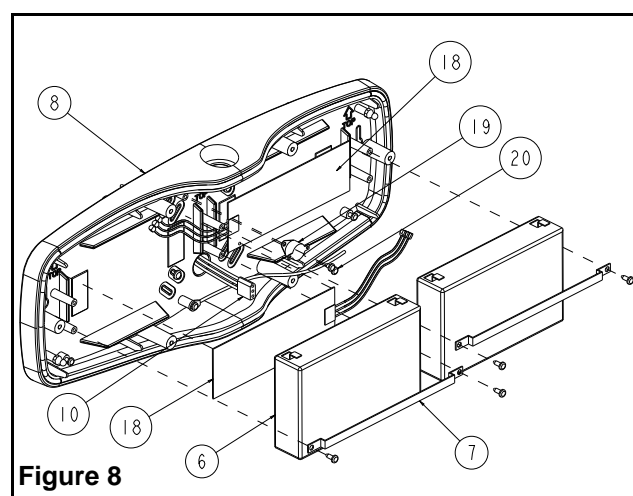


Figure 8

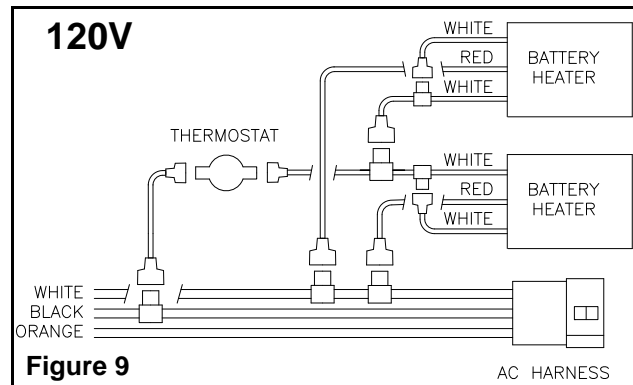


Figure 9

FOR COLD WEATHER
OPTION ONLY

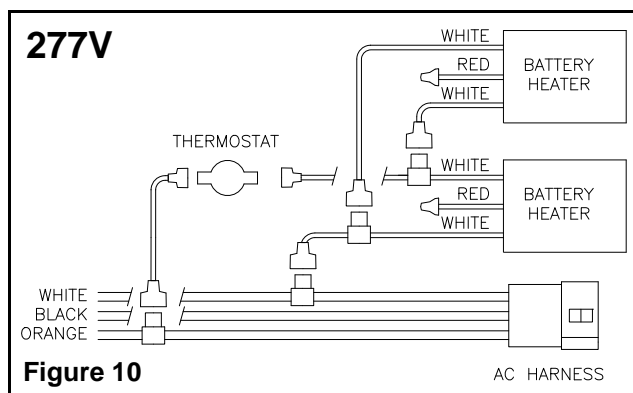


Figure 10

Manual Testing

Operate the magnetic “test switch” by holding the provided magnet near the AC pilot lamp, where indicated. This will initiate a one minute test. The DC lamps will illuminate for approximately one minute, then the unit will automatically return to stand by mode. Test can be cancelled by holding the magnet near the test switch again.

Automatic Testing (AD charger)

The unit will perform an automatic self-test of 1 minute every month, 30 minutes every 6 month and a 90 minutes self-test once a year.

Automatic Diagnostics (AD charger)

There are five diagnostic indicators: one external and four internal. Unit must be opened to gain access to internal indicators.

External: General alarm, “Service Required”. The LED will turn on if any alarm condition is detected (see figure 11).

Internal: Battery Failure, Battery Disconnect, Charger Failure & Lamp Failure. Steady ON if alarm condition exists. (see figure 12).

Normal operation, No fault — “Service Required” is OFF.

Faulty operation — “Service Required” is ON.

(See fig. 11).

(see AD charger owner manual for more details)

Default setting (AD charger)

Unit is factory preset with a 15 minutes time delay and a non audible diagnostic. This setting can be changed to either turn off the time delay or turn on the audible diagnostic. See AD charger owner manual for more details.

NEXUS Option

Unit equipment having the Nexus interface have 2 external indicators and 3 internal.

External: — (see figure 11)

AC ON (green): Illuminated when line voltage is present.

Nexus (tricolor LED): See Nexus Addendum for details.

Internal: See Nexus Addendum for details.

Food processing facilities

Screw covers are available in the hardware kit. These covers have to be installed on screws to avoid any food accumulation. Note: some detergent used in food processing industry can affect durability of Polycarbonate lens. Install unit on even wall surface to insure watertightness and avoid any gaps between the gasket and the wall.

Maintenance (All Models)

None required. If AC supply to the unit is to be disconnected for 2 months or more, the battery must be disconnected.

This unit comes with a (3) three year limited warranty.

