



FG, F12G, FN, F12N & F24N SERIES

Weather & Corrosion-Resistant Housing
6V up to 100W, 12V up to 110W & 24V-100W Capacities
Lead-Calcium or Nickel-Cadmium battery

FEATURES

Housing

- Weather and Corrosion Resistant
- Molded gray high impact Thermoplastic case with hinged front access panel
- Oil, water and dust-tight construction, stainless steel hardware, single piece neoprene gasket and vented battery compartment
- Provision for mounting up to 2 lighting heads
- Various choices of lamp types

Mounting

- Wall Mount; external mounting feet are provided

Electronics

- Automatic, temperature compensated, pulse-type charger
- High capacity, automatic, dust-tight instantaneous transfer relay
- Low voltage disconnect prevents over discharge of battery
- Automatic brownout protection is provided
- Battery lock-out prevents battery discharge during installation
- Fused output circuit

Improved Diagnostics option

- Units equipped with Improved Diagnostics shall self-test, by simulating a power failure, in accordance with NFPA101, Life Safety Code one minute monthly, 30 minutes every six months and 90 minutes annually. For complete information refer to page 8.

NEXUS® option

- Units equipped with NEXUS® self-testing monitoring system circuitry shall self-test, in accordance with NFPA101 Life Safety Code for a minimum of 30 seconds monthly, 30 minutes every six months and 90 minutes annually as well as keep a history of all testing logs, plus feature real-time diagnoses, and provide the exact fixture location while notifying service personnel of the status of the fixture via email. For complete information refer to page 4-5.

Controls

- Red charger monitor LED indicates charging of the battery
- Amber AC-ON LED indicates AC power is on
- Momentary test switch allows for quick operational check of entire system

Choice of Sealed Maintenance-Free Battery

- 6V or 12V, Lead-Calcium battery
- 6V, 12V or 24V Nickel-Cadmium battery

Approvals

- UL 924 Standard

Warranty (subject to proper installation and maintenance)

- Unit has a three year full warranty (excluding lamps and fuses)¹
- Lead-Calcium battery has a three year full, plus three year pro-rata warranty
- Nickel-Cadmium battery has a five year full, plus five year pro-rata warranty

¹ For LED lamps warranty, refer to page 168 paragraph 3.2

ACCESSORIES (Order as a separate item)

Wire Guard	WG3-L
------------	-------

SPECIFICATIONS

Supply and install **Lightalarms® FG, F12G, FN, F12N, F24N** Series.

The emergency lighting unit shall be a self-contained fixture including a sealed maintenance-free Lead-Calcium or Nickel-Cadmium battery of 6V, 12V or 24V, of wattage as specified in the unit rating chart. The unit shall supply the rated wattage load for a minimum of 90 minutes to 87-1/2% of rated battery voltage. The unit shall be rated 120/277VAC, 60Hz and be UL 924 listed.

The unit charger shall utilize an integrated circuit which samples the battery in relation to temperature, state of charge and input voltage fluctuations. The charger shall be current limited, temperature compensated, short-circuit protected and reverse polarity protected. The unit shall be furnished with an electronic lockout circuit which will connect the battery when the AC circuit is activated, and an electronic brownout circuit which will activate the unit when utility power dips below 80-85% of nominal voltage. A low voltage battery protection circuit shall be provided and will disconnect the load and circuitry from the battery when it reaches 87-1/2% of its nominal voltage. The unit shall be capable of full recharge in compliance with UL 924 specifications. The unit shall be furnished with sealed dust-tight relay, a test switch and dual diagnostic LED indicator lights (hi-charge and AC pilot). The cabinet shall be molded gray high impact Thermoplastic case with hinged front access panel featuring oil, water and dust-tight construction, stainless steel hardware, single piece neoprene gasket and vented battery compartment. Includes mounting feet and provision for mounting up to 2 heads on front access panel.

Units specified with Improved Diagnostics (audible or non-audible) will continuously monitor every critical function of the unit, attached remote lighting heads and/or attached AC/DC Exit Signs. Operational status of the battery, charger and lamps are indicated by individual LED status indicators. Once a malfunction is detected, if audible, a high-pitch audible alarm will sound, and the appropriate LED status indicator will illuminate alerting of the unit malfunction. If non-audible, only the LED status indicator will illuminate alerting of the unit malfunction. The microcontroller shall automatically self-test, by simulating a power failure, in accordance with NFPA101, Life Safety Code for one minute monthly, 30 minutes every six months and 90 minutes annually.

Every **FG, F12G, FN, F12N, F24N** Series unit shall be fully warranted for three years, subject to proper installation and maintenance.

Unit shall be **Lightalarms®** catalog number _____.

Designed for weather-resistant and industrial applications, especially for corrosive atmospheres

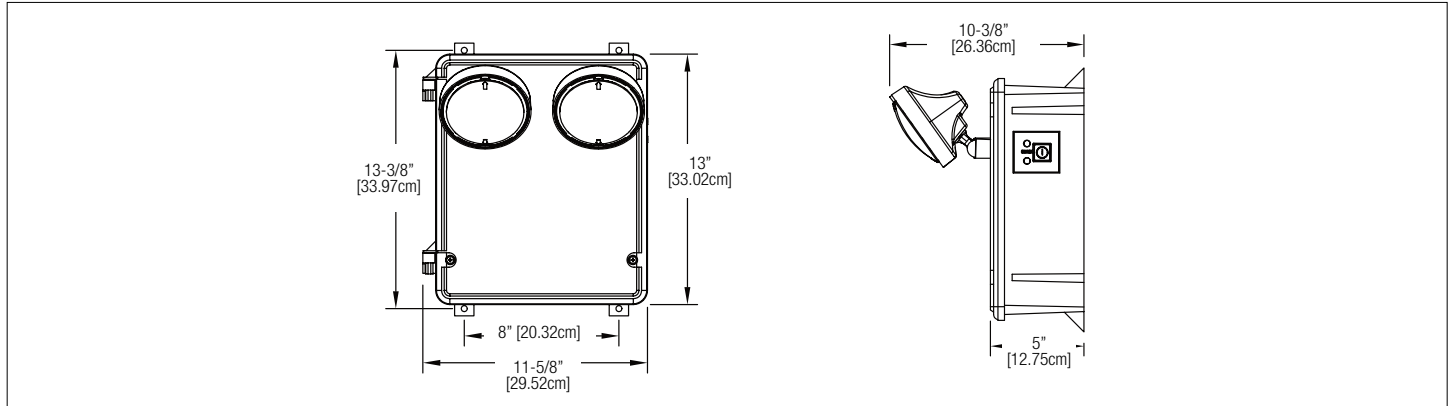


TYPE _____
 CATALOG # _____

 NOTES _____

DIMENSIONS

Dimensions are approximate and subject to change.



POWER CONSUMPTION / UNIT RATING CHART

SERIES	DC SPECS						AC SPECS	
	BATTERY TYPE	DC VOLTAGE	87.5% BATTERY CAPACITY (IN WATTS) ¹				UNITS DUAL VOLTAGE ²	CURRENT MAXIMUM
			90 MIN.	2 HRS.	3 HRS.	4 HRS.		
FG1	Lead-Calcium	6V	50	36	25	12	120VAC 277VAC	.3A .15A
FG2		6V	100	75	50	24		
F12G1		12V	50	36	25	12		
F12G2		12V	100	75	50	24		
F12N1	Nickel-Cadmium	12V	50	36	18	10		
F12N2		12V	100	75	37	20		
F24N2		24V	100	75	37	20		

¹ National Electrical Code Specification

² All units 120/277 dual voltage, information based on wiring to specific voltage type

ORDERING FORMAT

# OF HEADS	SERIES/CAPACITY	LAMP TYPE	OPTIONS
0= No head 1= One head 2= Two heads	Lead-Calcium battery FG1= 6V-50W FG2= 6V-100W F12G1= 12V-54W F12G2= 12V-100W Nickel-Cadmium battery F12N1= 12V-50W F12N2= 12V-100W F24N2= 24V-100W	Add lamp suffix to indicate lamp type, voltage and wattage. For available Lamp Types within an ELF647 Head Style Weather-Proof, refer to that Head Style page for proper lamp suffix see page 109 Lamp Type MUST: 1) Match Battery Voltage 2) Total of all lamps wattage must not exceed battery watt capacity for 90 min.	Blank= No Options -ID= Improved Diagnostics (audible) ^{1,2} -IDNA= Improved Diagnostics (non audible) ^{1,2} -NEX= Nexus® Wired Compatible ³ -NEXRF= Nexus® Wireless Compatible ³ -T1= Time Delay (5 minute) -T2= Time Delay (10 minute) -T3= Time Delay (15 minute) -A= Ammeter ⁴ -V= Voltmeter ⁴ -DS= Lamp Disconnect Switch -VS= Vandal-Resistant Screws -3CP= 120V Cord & Plug, 3 wire, 3ft long ⁵

¹ -ID & -IDNA include a time delay feature that can be enabled/disabled in the field or set by the factory by including -ID-TD* or -IDNA-TD*

² -ID & -IDNA not available with F12N2 & F24N2

³ Consult your sales representative

⁴ -A & -V not available with -ID, -IDNA, -NEX, -NEXRF option

⁵ -3CP & -3CP277 custom lengths available. Consult your sales representative

EXAMPLE: 2F12G1/L9-ID