

Shown with ELF645 heads



PG & P12G SERIES

Steel Housing
6V up to 54W & 12V-54W Capacities
Lead-Calcium battery

FEATURES

Housing

- 20 gauge steel housing with removable front access panel
- Corrosion-resistant baked enamel mist white finish standard, black optional
- Provision for mounting up to 3 lighting heads
- Various choices of lighting head styles and lamp types

Mounting

- Wall Mount
- 1/2" conduit knock-outs, rear keyhole slots and universal knock-outs to mount to any standard 4" junction box

Electronics

- Automatic, temperature compensated, pulse-type charger
- High capacity, automatic, dust-tight instantaneous transfer relay
- Low voltage disconnect prevents over discharge of battery
- Automatic brownout protection is provided
- Battery lock-out prevents battery discharge during installation
- Fused output circuit
- Input: 120/277 VAC, 60Hz 0.3/0.15A

Improved Diagnostics option

- Units equipped with Improved Diagnostics shall self-test, by simulating a power failure, in accordance with NFPA101, Life Safety Code one minute monthly, 30 minutes every six months and 90 minutes annually. For complete information refer to page 8.

NEXUS® option

- Units equipped with NEXUS® self-testing monitoring system circuitry shall self-test, in accordance with NFPA101 Life Safety Code for a minimum of 30 seconds monthly, 30 minutes every six months and 90 minutes annually as well as keep a history of all testing logs, plus feature real-time diagnostics, and provide the exact fixture location while notifying service personnel of the status of the fixture via email. For complete information refer to page 4-5.

Controls

- Red charger monitor LED indicates charging of the battery
- Amber AC-ON LED indicates AC power is on
- Momentary test switch allows for quick operational check of entire system

Choice of Sealed Maintenance-Free Battery

- 6V or 12V Lead-Calcium battery

Approvals

- UL 924 Standard

Warranty (subject to proper installation and maintenance)

- Unit has a three year full warranty (excluding lamps and fuses)¹
- Lead-Calcium battery has a three year full, plus five year pro-rata warranty

¹ For LED lamps warranty, refer to page 168 paragraph 3.2

ACCESSORIES (Order as a separate item)

Wire Guard	WG2-L
Mounting Platform	MP-PQA

HEAD STYLE WITH LAMP TYPE CHOICES

LAMP TYPE	HEAD STYLE				
	ELF645 (pg.108)	ELF2 (pg.105)	ELF3 (pg.106)	DR1130 (pg.104)	ELF623 (pg.107)
Wedge Based Incandescent	X	X			X
Bi-Pin Halogen	X	X			X
PAR36 Sealed Beam Incand.	X				
PAR36 Sealed Beam Halogen	X				
MR16 Halogen			X	X	
MR16 LED			X	X	

SPECIFICATIONS

Supply and install **Lightalarms® PG, P12G Series**.

The emergency lighting unit shall be a self-contained fixture including a sealed maintenance-free Lead-Calcium battery of 6V or 12V, of wattage as specified on the unit rating chart. The unit shall supply the rated wattage load for a minimum of 90 minutes to 87-1/2% of rated battery voltage. The unit shall be rated 120/277VAC, 60Hz and be UL 924 listed.

The unit charger shall utilize an integrated circuit which samples the battery in relation to its temperature, state of charge and input voltage fluctuations. The charger shall be current limited, temperature compensated, short-circuit protected and reverse polarity protected. The unit shall be furnished with an electronic lockout circuit which will connect the battery when the AC circuit is activated, and an electronic brownout circuit which will activate the unit when utility power dips below 80-85% of nominal voltage. A low voltage battery protection circuit shall be provided and will disconnect the load and circuitry from the battery when it reaches 87-1/2% of its nominal voltage. The unit shall be capable of full recharge in compliance with UL 924 specifications. The unit shall be furnished with sealed dust-tight relay, a test switch and dual diagnostic LED indicator lights (hi-charge and AC pilot). The cabinet shall be 20 gauge steel with a removable front panel. Unit shall have 1/2" conduit knock-outs, rear keyhole slots and universal knock-outs to mount to any standard 4" junction box with provision for mounting up to 3 heads on top of cabinet.

Units specified with Improved Diagnostics (audible or non-audible) will continuously monitor every critical function of the unit, attached remote lighting heads and/or attached AC/DC Exit Signs. Operational status of the battery, charger and lamps are indicated by individual LED status indicators. Once a malfunction is detected, if audible, a high-pitch audible alarm will sound, and the appropriate LED status indicator will illuminate alerting of the unit malfunction. If non-audible, only the LED status indicator will illuminate alerting of the unit malfunction. The microcontroller shall automatically self-test, by simulating a power failure, in accordance with NFPA101, Life Safety Code for a minimum of one minute monthly, 30 minutes every six months and 90 minutes annually

Every **PG, P12G Series** unit shall be fully warranted for three years, subject to proper installation and maintenance.

Unit shall be **Lightalarms®** catalog number _____.

TYPE _____
 CATALOG # _____

 NOTES _____

Combines reliability, versatility,
 performance into an aesthetically
 pleasing design

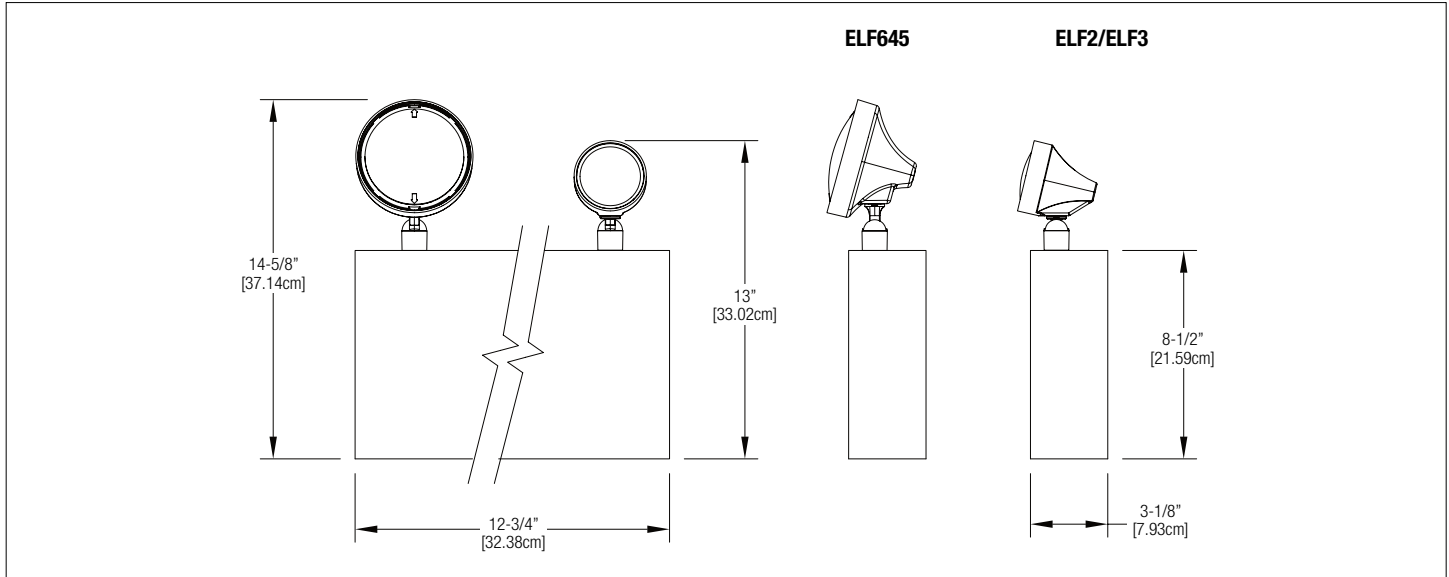
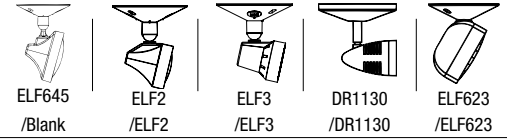


Shown with ELF 3 heads and LED Lamps

DIMENSIONS

Dimensions are approximate and subject to change.

Available Head Style Choices:
 Head Style Suffix:



POWER CONSUMPTION / UNIT RATING CHART

SERIES	DC SPECS						AC SPECS	
	BATTERY TYPE	DC VOLTAGE	87.5% BATTERY CAPACITY (IN WATTS) ¹				UNITS DUAL VOLTAGE ²	CURRENT MAXIMUM
			90 MIN.	2 HRS.	3 HRS.	4 HRS.		
PG1	Lead-Calcium	6V	18	15	0	0	120VAC 277VAC	.25A .15A
PG2		6V	54	36	27	18		
P12G1		12V	54	36	27	18		

¹ National Electrical Code Specification

² All units 120/277 dual voltage, information based on wiring to specific voltage type

ORDERING FORMAT

# OF HEADS	SERIES/CAPACITY	HEAD STYLE	LAMP TYPE	HOUSING COLOR	OPTIONS
0= No head 1= One head 2= Two heads 3= Three heads	PG1= 6V-18W PG2= 6V-54W P12G1= 12V-54W	/Blank= ELF645 (PAR36, Plastic) /ELF2= ELF2 (PAR18, Plastic) /ELF3= ELF3 (MR16, Plastic) /DR1130= DR1130 (MR16, Metal) /ELF623= ELF623 (Square, Plastic)	Add lamp suffix to indicate lamp type, voltage and wattage. For available Lamp Types within a specified Head Style, refer to that Head Style page for proper lamp suffix with Blank (ELF645) , page 108 with ELF2 , page 105 with ELF3 , page 106 with DR1130 , page 104 with ELF623 , page 107 Lamp Type MUST: 1) Match Battery Voltage 2) Total of all lamps wattage must not exceed battery watt capacity for 90 min.	-M= Mist White -B= Black	Blank = No Options -ID = Improved Diagnostics (audible) ¹ -IDNA = Improved Diagnostics (non audible) ¹ -NEX = Nexus® Wired Compatible ² -NEXRF = Nexus® Wireless Compatible ² -T1 = Time Delay (5 minute) -T2 = Time Delay (10 minute) -T3 = Time Delay (15 minute) -A = Ammeter ³ -V = Voltmeter ³ -PTS = Photocell Test Switch -DS = Lamp Disconnect Switch -VS = Vandal-Resistant Screws -3CP = 120V Cord & Plug, 3 wire, 3ft long ⁴

¹ -ID & -IDNA include a time delay feature that can be enabled/disabled in the field or set by the factory by including -ID-TD* or -IDNA-TD*

² Consult your sales representative

³ -A & -V not available with -ID, -IDNA, -NEX, -NEXRF option

⁴ -3CP custom length available. Consult your sales representative

EXAMPLE: PG1/LH5-M