



MC-MA Series


WARNING:
Risk of Shock.
Disconnect Power before Installation.


IMPORTANT SAFEGUARDS

When using electrical equipment, basic safety precautions should always be followed including the following:

READ AND FOLLOW ALL SAFETY INSTRUCTIONS

1. All servicing should be performed by qualified service personnel.
2. All unused wires must be insulated to prevent shorting.
3. Do not use outdoors.
4. Do not let power supply cords touch hot surfaces.
5. Do not mount near gas or electric heaters.
6. Use caution when handling batteries. Avoid possible shorting.
7. Equipment should be mounted in locations and at heights where it will not readily be subjected to tampering by unauthorized personnel.
8. The use of accessory equipment not recommended by the manufacturer may cause an unsafe condition.
9. Caution: If optional Halogen cycle lamp(s), symbol (H—), are used in this equipment, to avoid shattering: do not operate lamp in excess of rated voltage, protect lamp against abrasion and scratches and against liquids when lamp is operating, dispose of lamp with care.
10. Halogen cycle lamps operate at high temperatures. Do not store or place flammable materials near lamp.
11. Do not use this equipment for other than intended use.
12. Unit to be installed only as per configuration described in this instruction manual.

SAVE THESE INSTRUCTIONS

Installation Instructions



IMPORTANT:

Install fixture/lamp type combination no higher than the maximum mounting heights as stipulated in the "Lamp Mounting Height Cross-reference Table" (P/N 750.1924). Refer to "Technical Information" section of our website.

1. TURN OFF AC POWER.
2. Route AC circuit wires to electrical box and leave 12" of wire length.
3. Securely mount unit in place. Connect AC supply wiring to unit as follows:

For 120 VAC operation: — Black to 120 VAC, White to neutral

For 277 VAC operation: — Orange to 277 VAC, White to neutral

NOTE: Secure AC wires via wire clip after making connections.



IMPORTANT:

Wiring connections need to be done away from PCBA and in designated area as shown in figure 1.

4. Extend DC wiring for remote fixtures, (if required), to unit. Wiring must comply with NEC articles 700 and 720. Do not exceed rated wattage of unit.
5. When ready to energize AC, plug polarized battery connector into circuit board. Lamps will not light at this time.
6. Energize AC. Pilot lamp and high charge LED will illuminate.
7. For conduit installation on the MC series, use 7/8" knockout located on the top of the enclosure.

Testing

(See separate booklet for units with AD option)

Allow one minute for unit to stabilize before testing. To test, depress test switch. Pilot lights will go out and emergency lamps will come on. When test switch is release, emergency lamps will go off and both pilot lights will come on. Allow a minimum of 24 hours charge time after installation or power failure for initial full load testing.

Maintenance

None required. Unit should be tested monthly in accordance with the requirements of NFPA 101, Life Safety Code, or local codes.

Important notice

This equipment is furnished with a low battery disconnect circuit in the emergency mode. If the building is to be unoccupied for an extended period of time and all the power is to be disconnected, the internal batteries must be unplugged from the circuit board to prevent damage. Do not allow the battery wires to short circuit.

Risk of serious injury.

WARNING: To prevent injury from falling battery, carefully hold batteries in place when removing and re-installing the securement bracket. **Take special care for ceiling mount configuration.**

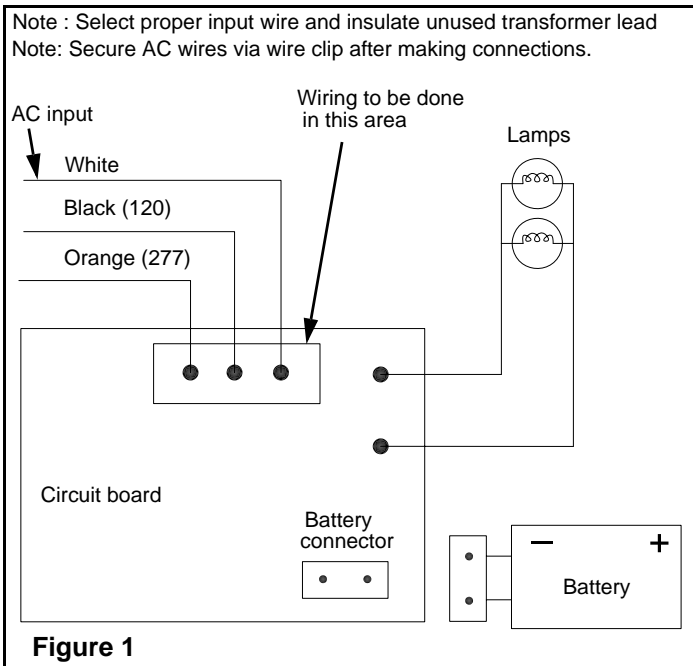


Figure 1