



LCA-2MRS Emergency Lighting Unit

Self-powered Halogen Light Unit



WARNING:
Risk of Shock.
Disconnect Power before Installation.



IMPORTANT SAFEGUARDS

When using electrical equipment, basic safety precautions should always be followed including the following:

READ AND FOLLOW ALL SAFETY INSTRUCTIONS

1. All servicing should be performed by qualified service personnel.
2. All unused wires must be insulated to prevent shorting.
3. Do not use outdoors.
4. Do not let power supply cords touch hot surfaces.
5. Do not mount near gas or electric heaters.
6. Use caution when handling batteries. Battery acid can cause burns to the skin and eyes. If acid is spilled on the skin or eyes, flush affected area with fresh water and contact a physician immediately.
7. Avoid possible shorting.
8. Equipment should be mounted in locations and at heights where it will not readily be subjected to tampering by unauthorized personnel.
9. The use of accessory equipment not recommended by the manufacturer may cause an unsafe condition.
10. Do not use this equipment for other than intended use.
11. When relamping, only use lamps specified in the fixture.
12. Allow battery to charge for 24 hours before first use.

SAVE THESE INSTRUCTIONS

Installation Instructions

i IMPORTANT: Install product no higher than the maximum mounting height of 10 feet from the floor.

1. Turn off AC power.
2. Using a flat head screwdriver, insert the blade into the slot and gently pry off the front cover (see figure 1).

Wall & Ceiling Mount

1. Remove battery from back plate.
2. Remove the appropriate knockouts in the back plate to mount to a standard junction box.
3. Feed unit wires through the center hole of the back plate.
4. Make the proper connections (see figure 4):
 - a. For 120VAC, connect the black wire (120Vac) and white wire (neutral) to the building utility.
 - b. For 277/277VAC, connect the orange wire (277Vac) and white wire (neutral) to the building utility.
 - c. Feed wires back into the junction box.
5. Mount and secure the back plate to the junction box.
6. Reattach the battery to the back plate and connect the battery ensuring the red wire is connected to the positive terminal.
7. Snap top cover to back plate.

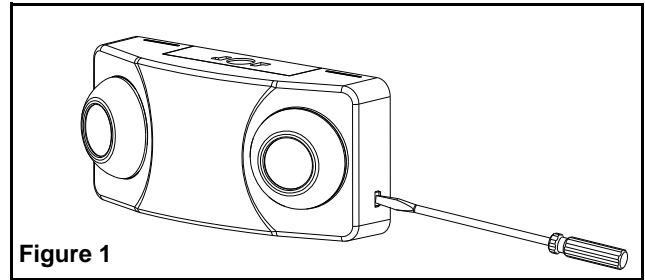


Figure 1

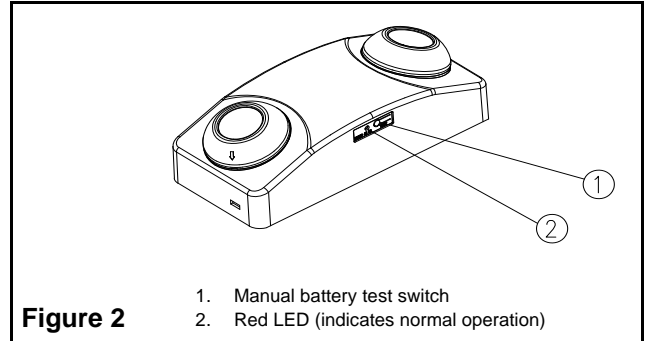


Figure 2

1. Manual battery test switch
2. Red LED (indicates normal operation)

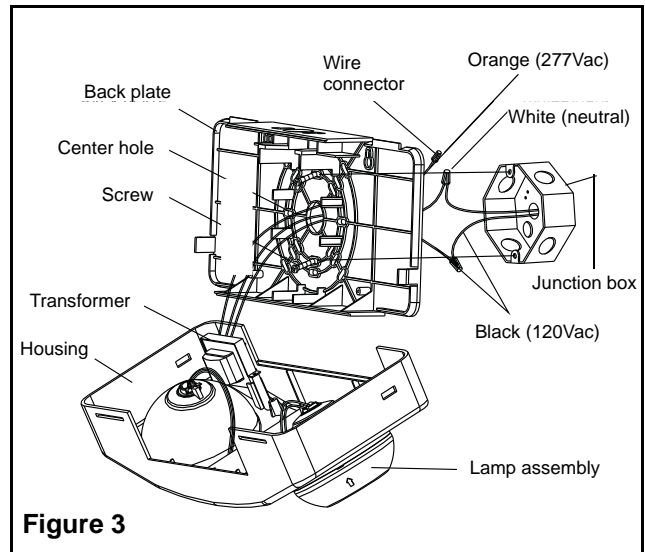


Figure 3

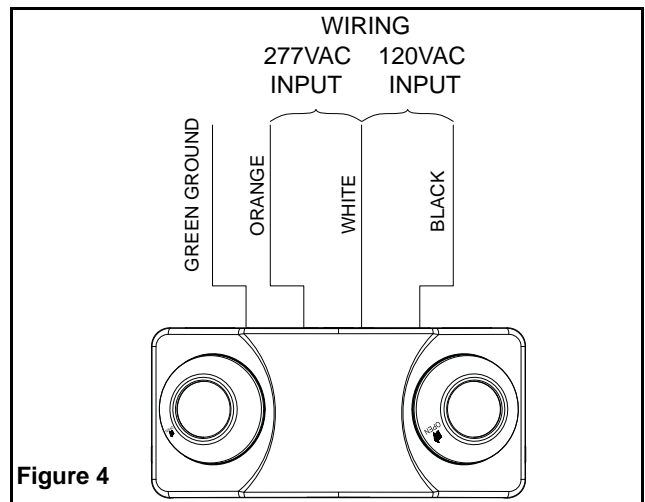


Figure 4

8. Restore power and press the test button (see figure 2). Lamp heads will turn on.

Wall mount Conduit entry

1. Remove the top knockout on the top flange of the fixture (see figure 5).
2. Remove keyhole knockouts on the back plate and mount to the wall.
3. Secure conduit to knockout and feed wires into the fixture.
4. Make the proper connections (see figure 4):
 - a. For 120VAC, connect the black wire (120Vac) and white wire (neutral) to the building utility.
 - b. For 277VAC, connect the orange wire (277Vac) and white wire (neutral) to the building utility.
5. Connect the red wire to the battery positive terminal.
6. Snap top cover to back plate.
7. Restore power and press the test button (see figure 2). Lamp heads will turn on.

Lamp adjustment

To adjust the lamps press down on the lamp head where it is marked "open" and turn the head in the desired direction (see figure 6).

Relamping (see figure 7)

1. Using a flat head screwdriver, insert the blade into the slot between the lamp cover and lamp body and then gently remove the lamp cover.
2. Install replacement lamps and snap lamp cover back into place.

Maintenance

None required. Replace the batteries as needed according to ambient conditions. Equipment must be tested regularly in accordance with local codes.

This unit comes with a (3) three year limited warranty.

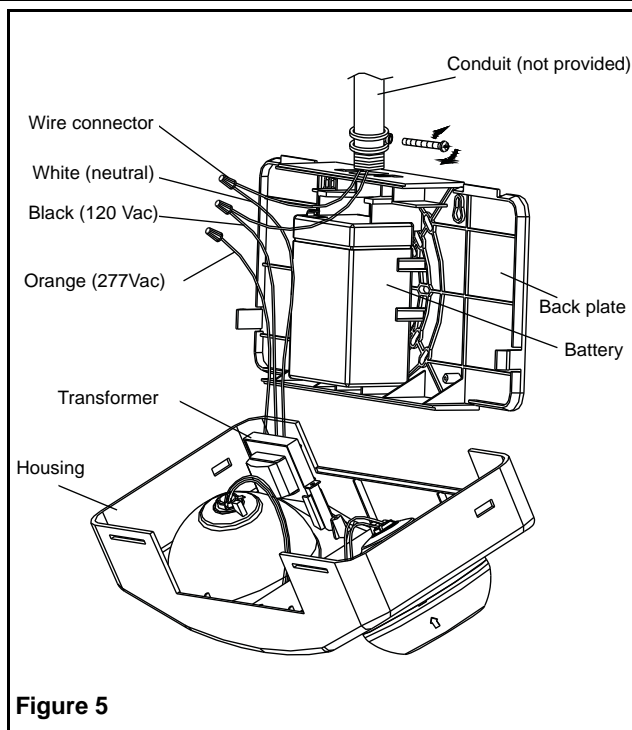


Figure 5

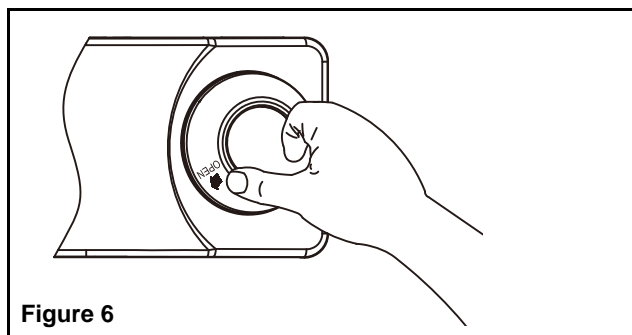


Figure 6

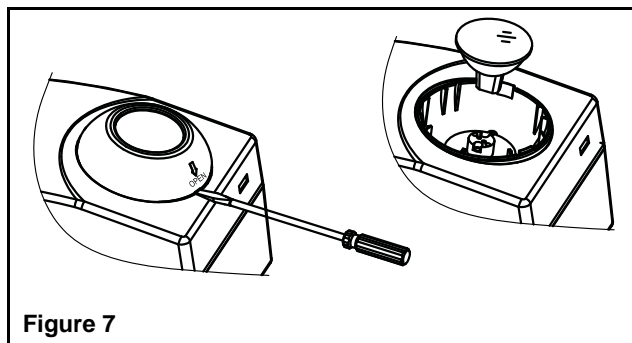




Figure 7

LCA-2MRS

Self-powered Emergency Light Unit



WARNING:
Risk of Shock.
Disconnect Power before Installation.



IMPORTANT SAFEGUARDS

When using electrical equipment, basic safety precautions should always be followed including the following:

READ AND FOLLOW ALL SAFETY INSTRUCTIONS

1. All servicing should be performed by qualified service personnel.
2. All unused wires must be insulated to prevent shorting.
3. Do not use outdoors.
4. Do not let power supply cords touch hot surfaces.
5. Do not mount near gas or electric heaters.
6. Use caution when handling batteries. Battery acid can cause burns to the skin and eyes. If acid is spilled on the skin or eyes, flush affected area with fresh water and contact a physician immediately.
7. Avoid possible shorting.
8. Caution: If optional Halogen cycle lamp(s), symbol (H—), are used in this equipment, to avoid shattering: do not operate lamp in excess of rated voltage, protect lamp against abrasion and scratches and against liquids when lamp is operating, dispose of lamp with care.
9. Halogen cycle lamps operate at high temperatures. Do not store or place flammable materials near lamp.
10. Equipment should be mounted in locations and at heights where it will not readily be subjected to tampering by unauthorized personnel.
11. The use of accessory equipment not recommended by the manufacturer may cause an unsafe condition.
12. Do not use this equipment for other than intended use.
13. When relamping, only use lamps specified in the fixture.
14. Allow battery to charge for 24 hours before first use.

SAVE THESE INSTRUCTIONS

Installation Instructions

IMPORTANT: Install product no higher than the maximum mounting height of 10 feet from the floor.

1. Turn off AC power.
2. Using a flat head screwdriver, insert the blade into the slot and gently pry off the front cover (see figure 1).

Wall Mount (figure 2)

1. Remove both batteries.
2. Remove the two keyhole knockouts and the appropriate knockouts in the back plate to mount to a standard junction box.
3. Feed unit wires through the center hole of the back plate.
4. Make the proper connections (see figure 4):
 - a. For 120VAC, connect the black wire (120Vac) and white wire (neutral) to the building utility.
 - b. For 277VAC, connect the orange wire (277Vac) and white wire (neutral) to the building utility.

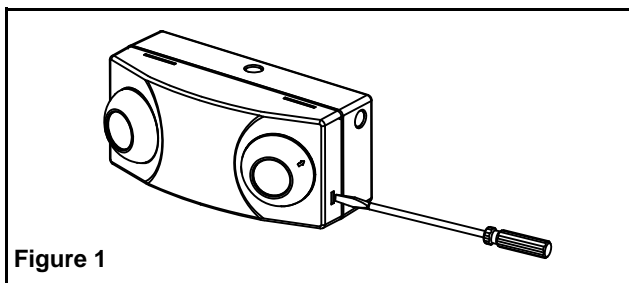


Figure 1

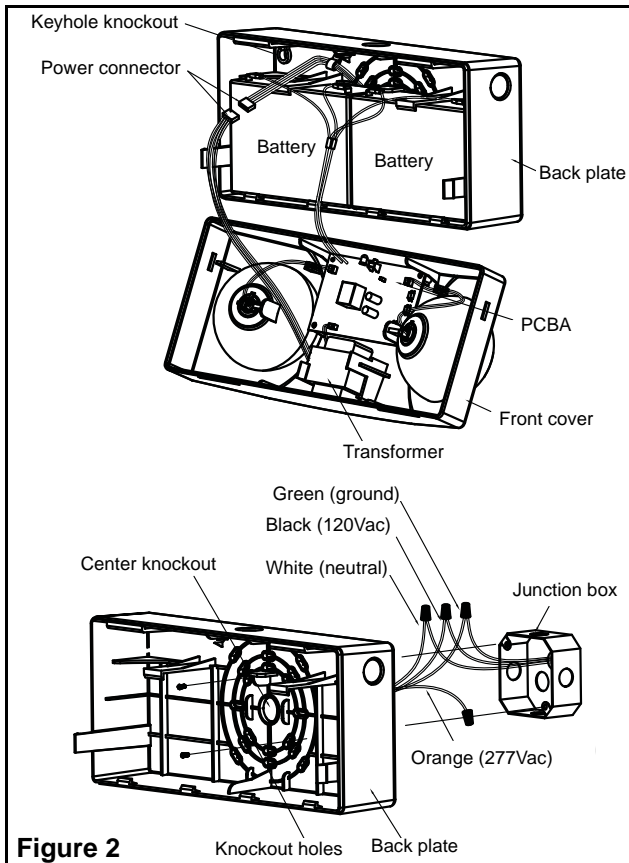


Figure 2

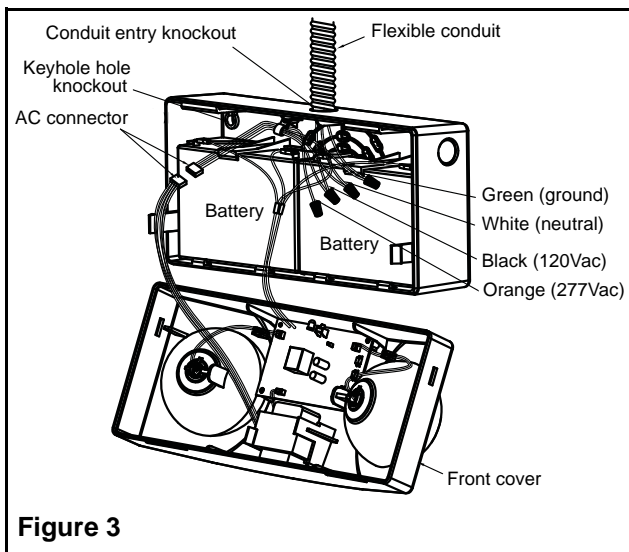


Figure 3


- c. Feed wires back into the junction box.
5. Mount and secure the back plate to the junction box.
6. Secure the back plate to the wall using the two keyholes.
7. Install the batteries to the back plate and connect the battery wires as shown in figure 4.
8. Snap top cover to back plate.
9. Restore power and press the test button. Lamp heads will turn on.
10. Adjust lamp heads into the desired position.

Wall mount Conduit entry

1. Remove the top knockout on the top of the fixture (see figure 3).
2. Remove two keyhole knockouts on the back plate and mount to the wall.
3. Secure conduit to knockout and feed wires into the fixture.
4. Make the proper connections (see figure 4):
 - a. For 120VAC, connect the black wire (120Vac) and white wire (neutral) to the building utility.
 - b. For 277VAC, connect the orange wire (277Vac) and white wire (neutral) to the building utility.
5. Connect the red wire to the open positive battery terminal.
6. Snap top cover to back plate.
7. Restore power and press the test button. Lamp heads will turn on.
8. Adjust lamp heads into the desired position.

Remote heads connection

Connect the yellow wire to the positive(+) and the purple to the negative(-) wires of the remote head.



IMPORTANT Do not exceed the maximum wattage of the fixture.

Relamping (figure 6)

1. Using a flat head screwdriver, insert the blade into the slot marked "OPEN" between the lamp cover and lamp body and then gently remove the lamp cover.
2. Install replacement lamp and snap lamp cover back into place.

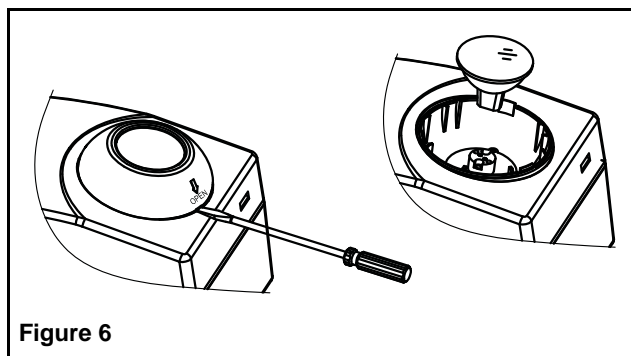
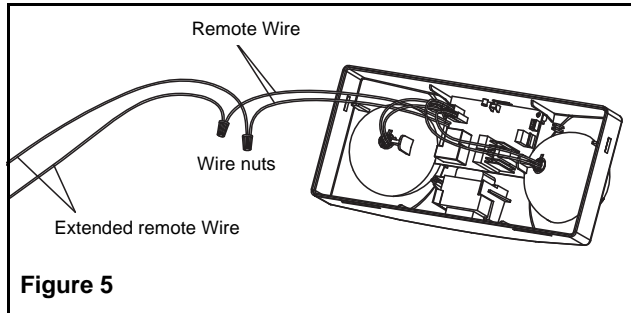
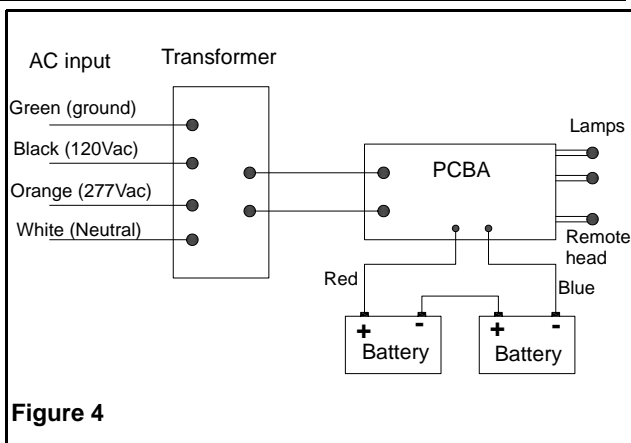
Manual testing.

1. To test the equipment, depress the test switch. The charge indicator will turn off and the emergency lights will come on.
2. Release the test switch. The emergency lights will turn off and the charge indicator will turn on.
3. The automatic charger will return and maintain the batteries in a fully charged state.
 Note: Allow the batteries to charge for a minimum of 24 hours after installation or power failure before testing.

Maintenance

None required. Replace the batteries as needed according to ambient conditions. Equipment must be tested regularly in accordance with local codes.

This unit comes with a (3) three year limited warranty.



Troubleshooting guide

1. The emergency lights do not operate:
 - If the charge indicator light is off: check AC supply.
 - If the charge indicator light is on: verify battery connections.
 - If problem persists, replace the batteries.
2. Emergency lights are dim or not working: batteries not fully charged. Allow the batteries to charge for 24 hours and then retest. If lights are still dim or not working replace batteries.