



LCA-2MRS & LCA-2LD SERIES

Thermoplastic Housing
6V-10W Capacity – Lead-Calcium battery

AVAILABLE WITH LED LAMP HEADS

TYPE _____

CATALOG # _____

NOTES _____

FEATURES

Housing

- Injection-molded, UV stabilized thermoplastic body, snap-together design
- Two fully adjustable glare-free MR16 lighting heads
- Mist white finish, corrosion and scratch-resistant thermoplastic

Mounting

- Ceiling or Wall Mount
- Keyhole slots and universal knock-outs to mount to any standard 4" junction box

Choice of Lamp Types

- Two 6W each MR16 Halogen lamps
- Two 4W each MR16 LED lamps

Electronics

- Automatic, temperature compensated, pulse-type charger
- High capacity, automatic, dust-tight instantaneous transfer relay
- Low voltage disconnect prevents over discharge of battery
- Automatic brownout protection is provided
- Battery lock-out prevents battery discharge during installation

Controls

- Red charger monitor LED indicates charging of the battery
- Momentary test switch allows for quick operational check of entire system

Sealed Maintenance-Free Battery

- 6V Lead-Calcium battery

Approvals

- UL 924 Standards
- UL 94, 5VA flame rated
- Damp location listed

Warranty (subject to proper installation and maintenance)

- Unit has a three year full warranty (excluding lamps and fuses)¹
- Lead-Calcium battery has a three year full, plus three year pro-rata warranty

¹ For LED lamps warranty, refer to page 168 paragraph 3.2

ACCESSORIES (Order as a separate item)

Wire Guard	WG10-L
Vandal Resistant Shield	CPS
Vandal Resistant Shield (NEMA-4X)	CPS-4X

SPECIFICATIONS

Supply and install Lightalarms® LCA-2MRS & LCA-2LD Series.

The emergency lighting unit shall be a self-contained fixture including a sealed maintenance-free Lead-Calcium battery of 6V-12W. The unit shall supply the rated wattage load for a minimum of 90 minutes to 87-1/2% of rated battery voltage. The unit shall be rated 120/277VAC, 60Hz, UL 924 and Damp location listed standard.

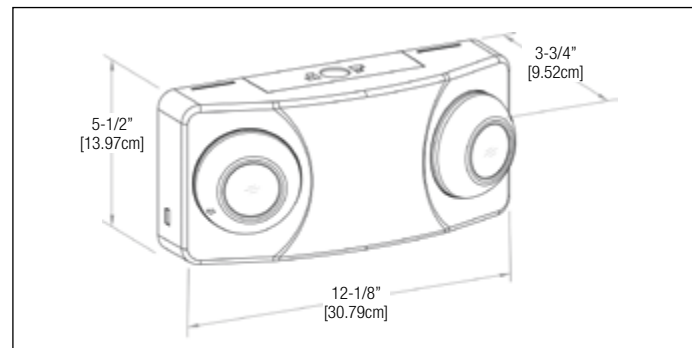
The unit charger shall utilize an integrated circuit which samples the battery in relation to temperature, state of charge and input voltage fluctuations. The charger shall be current limited, temperature compensated, short-circuit protected and reverse polarity protected. The unit shall be furnished with an electronic lockout circuit which will connect the battery when the AC circuit is activated, and an electronic brownout circuit which will activate the unit when utility power dips below 80-85% of nominal voltage. A low voltage battery protection circuit shall be provided and will disconnect the load and circuitry from the battery when it reaches 87-1/2% of its nominal voltage. The unit shall be capable of full recharge in compliance with UL 924 specifications. The unit shall be furnished with sealed dust-tight relay, red charger monitor LED indicating charging of the battery and push test switch allows for quick operational check of entire system. The cabinet shall be injection-molded, UV stabilized thermoplastic body, snap together design with two fully adjustable glare-free MR16 lighting heads being corrosion and scratch-resistant in a mist white color.

Every LCA-2MRS & LCA-2LD Series unit shall be fully warranted for three years, subject to proper installation and maintenance.

Unit shall be Lightalarms® catalog number _____.

DIMENSIONS

Dimensions are approximate and subject to change.



POWER CONSUMPTION / UNIT RATING CHART

SERIES	DC SPECS						AC SPECS		
	BATTERY TYPE	DC VOLTAGE	87.5% BATTERY CAPACITY (IN WATTS) ¹				UNITS DUAL VOLTAGE ²	CURRENT MAXIMUM	POWER MAXIMUM
			90 MIN.	2 HRS.	3 HRS.	4 HRS.			
LCA-2MRS	Lead-Calcium	6V	12	-	-		120VAC	.1A	7.5W
LCA-2LD1		6V	12	-	-	-	277VAC	.05A	7.5W

¹ National Electrical Code Specification

² All units 120/277 dual voltage, information based on wiring to specific voltage type

ORDERING FORMAT

SERIES	LAMP TYPE
LCA	-2MRS= 6V-5W MR16 halogen -2LD1= 6V-4W MR16 LED

EXAMPLE: LCA-2MRS