



LS605P1 SERIES

Recessed Gimbal 6V-10W
Capacities Lead-Calcium battery

TYPE _____
 CATALOG # _____

 NOTES _____

FEATURES

Housing

- Recessed upper drawn steel housing contains the battery and charger
- Lower portion of the housing contains 10W halogen lamp
- Designed with slide-out chassis and quick-connect plugs
- Standard trim ring Thermoplastic

Mounting

- Recessed Ceiling Mount
- Adjustable hanger bars are supplied with each unit

Lamp Type

- 6V-10W halogen lamp with a horizontal rotation of 358° and vertical angle adjustable to ±42°

Electronics

- Automatic, temperature-compensated, pulse-type charger
- High capacity, automatic, dust-tight instantaneous transfer relay
- Low voltage disconnect prevents over discharge of battery
- Automatic brownout protection is provided
- Battery lock-out prevents battery discharge during installation
- Fused output circuit.

Controls

- Combination AC-ON/battery charger monitor LED
- Momentary test switch allows for operational check of entire system

Choice of Sealed Maintenance-Free Battery

- 6V Lead-Calcium battery

Approvals

- UL 924 Standard
- UL Listed for use in insulated ceilings

Warranty (subject to proper installation and maintenance)

- Unit has a three year full warranty (excluding lamps and fuses)¹
- Lead-Calcium battery has a three year full, plus three year pro-rata warranty

¹ For LED lamps warranty, refer to page 168 paragraph 3.2

ACCESSORIES (Order as a separate item)

Remote Test Switch (Metal Faceplate)	PSW
Remote Test Switch (Plastic)	PSW1

SPECIFICATIONS

Supply and install Lightalarms® Recessed Gimbal 605P1 Series.

The emergency lighting unit shall be a self-contained fixture including a sealed maintenance-free Lead-Calcium battery of 6V, wattage as specified on the unit rating chart. The unit shall supply the rated wattage load for a minimum of 90 minutes to 87-1/2% of rated battery voltage. The unit shall be rated 120/277VAC, 60Hz and be UL 924 listed.

The unit charger shall utilize an integrated circuit which samples the battery in relation to temperature, state of charge and input voltage fluctuations. The charger shall be current limited, temperature compensated, short-circuit protected and reverse polarity protected. The unit shall be furnished with an electronic lockout circuit which will connect the battery when the AC circuit is activated, and an electronic brownout circuit which will activate the unit when utility power dips below 80-85% of nominal voltage. A low voltage battery protection circuit shall be provided and will disconnect the load and circuitry from the battery when it reaches 87-1/2% of its nominal voltage. The unit shall be capable of full recharge in compliance with UL924 specifications. The unit shall be furnished with sealed dust-tight relay, combination AC-ON/battery charger monitor LED, and a momentary test switch that allows for an operational check of the entire system.

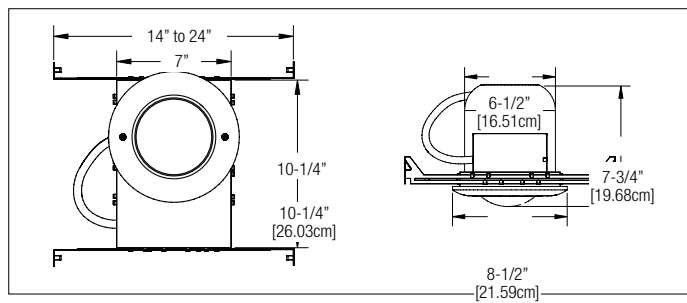
The housing shall be a drawn steel box, the upper side of the recessed upper housing contains the battery and charger, the lower portion of the housing contains halogen lamp. Standard finish of trim ring shall be mist-white plastic. Slide-out chassis and two quick-connect plugs make installation and servicing easy. Adjustable hanger bars are supplied with each unit.

Every Lightalarms® Recessed Gimbal 605P1 Series. Unit shall be fully warranted for three years, subject to proper installation and maintenance.

Unit shall be Lightalarms® catalog number _____.

DIMENSIONS

Dimensions are approximate and subject to change.



POWER CONSUMPTION / UNIT RATING CHART

SERIES	DC SPECS						AC SPECS	
	BATTERY TYPE	DC VOLTAGE	87.5% BATTERY CAPACITY (IN WATTS) ¹				UNITS DUAL VOLTAGE ²	CURRENT MAXIMUM
			90 MIN.	2 HRS.	3 HRS.	4 HRS.		
LS605P1-HB	Lead-Calcium	6V	10	0	0	0	120VAC	.3A

¹ National Electrical Code Specification

² All units 120/277 dual voltage, information based on wiring to specific voltage type

ORDERING FORMAT

SERIES/CAPACITY	LAMP TYPE	OPTIONS
LS605P1= 10W Lead-Calcium	/HB= 6V-10W Wedge base halogen	Blank= Mist White Thermoplastic

EXAMPLE: LS605P1/HB