

## TBR Series

Recessed steel housing



### Housing

- Steel housing
- Standard off-white finish, optional black finish
- Lighting heads, available in thermoplastic or decorative die-cast aluminum
- Choice of MR16 LED lamp wattages

### Mounting

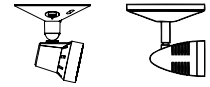
- Fully recessed ceiling
- Hanger bars included for lay-in installation in t-bar grid

### Electronics

- Pulse plus charger
- Low voltage disconnect
- Automatic brownout protection
- Battery lock-out
- Fused output circuit
- Optional: Improved Diagnostics
- Optional: Nexus® monitoring system
- 120/277 60Hz

### Photometric performance

Lamp	Spacing center-to-center (feet)	
	7 feet mounting height	15 feet mounting height
LD1	43'	36'
LD2	81'	64'
LD7	55'	43'
LD9	71'	56'
LD10	100'	85'



Available Head Style Choices:

ELF3

DR130

Head Style Suffix:

/E3

/D1

### Choice of Sealed Maintenance-Free Battery

- 6V or 12V Lead-Calcium battery
- 12V Nickel-Cadmium battery

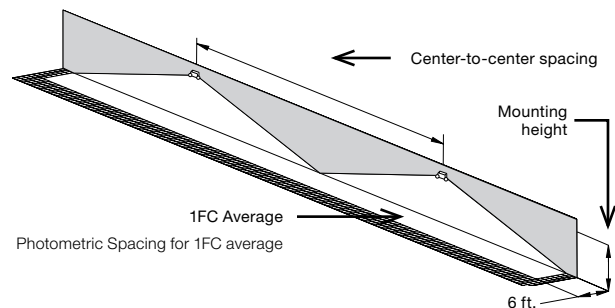
### Approval

- UL 924 Listed
- New York City Approved

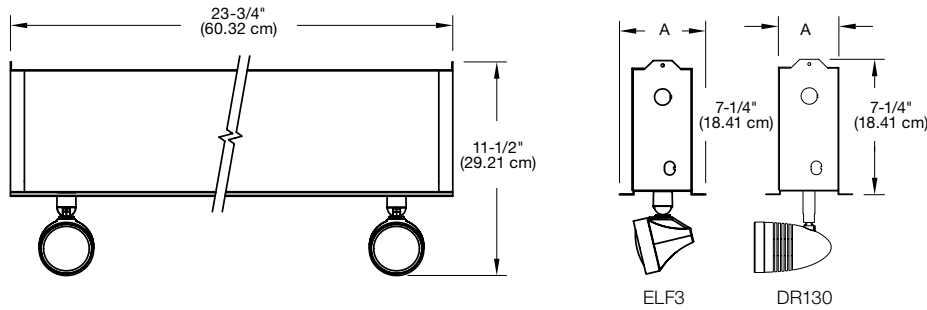
**Warranty** (subject to proper installation and maintenance)

Unit: five-year limited warranty

Detailed warranty terms located on [page 197](#) or online at: [www.lightalarms.com](http://www.lightalarms.com)



**Dimensions** (Dimensions are approximate and subject to change)



**Cabinet dimensions**

Units	Cabinet	A
54W and under	S	4-5/8"
81W and higher	L	7-1/8"

**Power consumption chart**

Series	Battery	Voltage	DC Specs				AC Specs	
			Battery capacity (in watts)				Units dual voltage <sup>1</sup>	Current Maximum
			90 Mins	2 Hrs	3 Hrs	4 Hrs		
TBRC0	Lead-Calcium	6V	18	12	0	0	120VAC 277VAC	0.3A 0.15A
T12BRC0	Lead-Calcium	12V	36	25	20	14		
T12BRC2	Ni-Cd with option (-N)	12V	50	31	25	18		

<sup>1</sup> All units 120/277 dual voltage, information based on wiring to specific voltage type

**Accessories** (Order as a separate item)

Description	Product code
Remote Test Switch (Metal Faceplate)	PSW
Remote Test Switch (Plastic Faceplate)	PSW-1

**Ordering format**

Number of heads	Series/Battery/Capacity	Head style	Lamp type	Options
<b>Blank</b> = No heads	<b>Lead-Calcium Battery</b>	<b>/E3</b> = ELF3 (MR16, Plastic)	<b>LD1</b> = 6V-4W MR16 LED	<b>Blank</b> = Mist white housing, no options
<b>2</b> = 2 heads	<b>TBRC0</b> = 6V-18W	<b>/D1</b> = DR130 (MR16, Metal)	<b>LD2</b> = 6V-5W MR16 LED	<b>-ID</b> = Improved Diagnostics (audible) <sup>1</sup>
<b>3</b> = 3 heads	<b>T12BRC0</b> = 12V-36W		<b>LD7</b> = 12V-4W MR16 LED	<b>-IDNA</b> = Improved Diagnostics (non audible) <sup>1</sup>
	<b>For Nickel-Cadmium Battery (must include option -N)</b>		<b>LD9</b> = 12V-5W MR16 LED	<b>-NEX</b> = Nexus <sup>®</sup> wired Compatible <sup>2</sup> (consult your sales representative)
	<b>T12BRC2</b> = 12V-50W		<b>LD10</b> = 12V-6W MR16 LED	<b>-NEXRF</b> = Nexus <sup>®</sup> wireless Compatible <sup>2</sup> (consult your sales representative)
				<b>-B</b> = Black housing
				<b>-TD15</b> = Time delay (15 minutes) <sup>3</sup>
				<b>-N</b> = Nickel-Cadmium battery

**Example: 2T12BRC0/D1LD9**

<sup>1</sup> -Minimum lamp load required: 20% of unit capacity. Not available with 100W N-Cd 24V. Should also apply to NEX and NERF.

<sup>2</sup> -NEX & -NEXRF is CSA-US approved only.

<sup>3</sup> -Time delay only available with ID, IDNA, NEX or NEXRF models