

Camray™ LED Series

Recessed steel housing 6V up to 36W, 12V up to 36w capacities



Housing

- Indoor/outdoor suitable for wet location
- Die-cast aluminum housing
- UV-resistant (3" x 1.5") polycarbonate lens

Mounting

- Wall mount
- 1/2" rigid conduit top entry
- Universal J-box mounting pattern

Lamp Type

- Patent-pending light engine: four power LEDs with redundant connections
- 400-640 lumens
- Color temperature: 4000K
- Optional forward-throw light distribution, for applications of outdoor egress
- Optional high-lumen output

- Optional dual-mode operation: normal and emergency LED lighting with separate AC inputs
- Pulse plus charger
- Low voltage disconnect
- Automatic brownout protection
- Battery lock-out
- Fused output circuit
- Standard Improved Diagnostics
- 120/277 60Hz

Approval

- UL 924 listed
- Nema-3R rated for indoor/outdoor cold-weather wet and damp locations: -4°F to 104°F (-20°C to 40°C)

Warranty (subject to proper installation and maintenance)

Unit: five-year full warranty

Detailed warranty terms located on [page 182](#) or online at: www.lightalarms.com

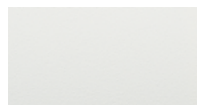
Unit color



Platinum gray



Black



White



Dark bronze
(painted)

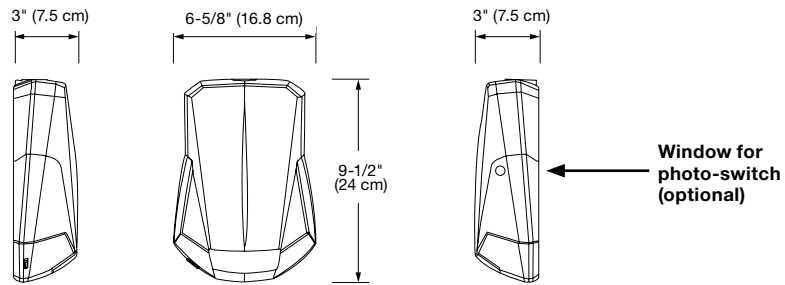
NEMA-3R

Power consumption chart

Model	DC Specs				AC Specs
	Normal lighting		Emergency lighting		6-12V ¹
	Current (maximum)	Power (maximum)	Current (maximum)	Power (maximum)	Power (maximum)
AC, 2AC, ACDC, DC	0.12/0.08A	12W	0.11/0.08A	12W	8W
All above, -H	0.18/0.11A	18W	0.18/0.11A	18W	14W (VDC only)
ACSD, SD, SD-H	0.12/0.06A	12W	0.05/0.02A	5W	
SD-CW	–	–	0.15/0.07A	16W	N/A ¹
ACSD-CW-P, -FT		N/A ¹	0.22/0.10A	24W	

¹ Only unswitched AC input; normal lighting with photo-switch or remote control

Dimensions (Dimensions are approximate and subject to change)



Photometric performance

Table A – Spacing for NFPA101 (average = 1FC) – Average of 1 foot-candle

Model type	Mounting height	Lumen	Color temperature	Width X length (ft)	
				Single unit	Center-to-center
Standard	9'	400	4000K	6' X 50'	6' X 50'
With option -H	11'	550		6' X 60'	6' X 60'
With option -FT	12'	460			3' X 70'
With option -FTH	15'	640		6' X 40'	–
				6' X 50'	–

Table B – Spacing for minimum illumination = 1FC – Minimum of 1 foot-candle

Model type	Mounting height	Lumen	Color temperature	Width X length (ft)	
				Single unit	Center-to-center
Standard	9'	400	4000K	4' X 28'	6' X 32'
With option -H	11'	550		4' X 32'	6' X 40'
With option -FH	12'	460		4' X 22'	–
With option -FTH	15'	640		4' X 27'	–

Indoor reflectance: 80/50/20 and 10-ft wide corridor. Outdoor reflectance: 0/30/10

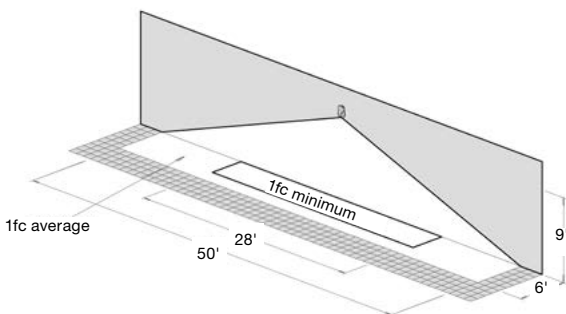
Note: The illumination level meets ALL the requirements of the Life Safety Code (NFPA 101):

- 1) Average of 1 foot-candle or more
- 2) Minimum at any point of 0.1 foot-candle or more
- 3) Maximum-to-minimum illumination uniformity ratio of 40:1 or less

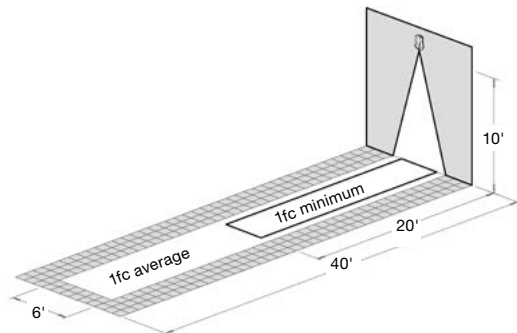
Photometry performance

Whether installed indoors or outdoors, with spacing measurements for a single unit or between two units center-to-center, the Camray® Series LED delivers a stable and consistent illumination making it easy to specify in a wide range of applications. The outstanding spacing of illumination ranges from 50 to 70 feet for standard units (wide beam) and from 40 to 50 feet with the forward-throw beam option.

Photometry performance – Wide beam



Photometry performance – Forward throw



Ordering format – Battery unit

Series	Model	Color	Options
CAM= Camray LED battery unit	Nickel-Metal Hydride Battery Units (standard with Self-Diagnostics) SD= Self-Powered & Self-Diagnostic (-4°F + 122°F)(-20°C + 50°C) ACSD= Dual-Mode AC/Self-Powered & Diagnostics (-4°F + 104°F)(-20°C + 40°C)	B= Black DB= Dark bronze OW= Off white PG= Platinum gray	-CW= Cold weather (-40°F - 86°F)(-40°C - 30°C); not available with option -H -FT= Forward throw lighting -H= High lumen output (32... 86°F / 0... 30°C; model SD only)
			-P= Photo-switch, (model models ACSD only) -T3= Time delay: 15 minutes (models ACSD, SD only) -RC= Remote control - infrared ¹

Example: CAMSDOW-RC

¹ For ACSD Model only, with -RC option, order the remote control keypad (TB-RC1-L) separately