

## Camray™ LED Series

Recessed steel housing 6V up to 36W, 12V up to 36w capacities



### Housing

- Indoor/outdoor suitable for wet location
- Die-cast aluminum housing
- UV-resistant (3" x 1.5") polycarbonate lens

### Mounting

- Wall mount
- 1/2" rigid conduit top entry
- Universal J-box mounting pattern

### Lamp Type

- Patent-pending light engine: four power LEDs with redundant connections
- 400-640 lumens
- Color temperature: 5000K
- Optional forward-throw light distribution, for applications of outdoor egress
- Optional high-lumen output

- Optional dual-mode operation: normal and emergency LED lighting with separate AC inputs
- Pulse plus charger
- Low voltage disconnect
- Automatic brownout protection
- Battery lock-out
- Fused output circuit
- Standard Improved Diagnostics
- 120/277 60Hz

### Approval

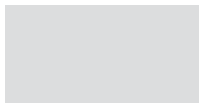
- UL 924 listed
- Nema-3R rated for indoor/outdoor cold-weather wet and damp locations: -4°F to 104°F (-20°C to 40°C)

**Warranty** (subject to proper installation and maintenance)

Unit: five-year full warranty

Detailed warranty terms located on [page 182](#) or online at: [www.lightalarms.com](http://www.lightalarms.com)

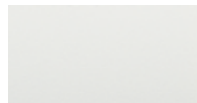
### Unit color



Platinum gray



Black



White



Dark bronze  
(painted)

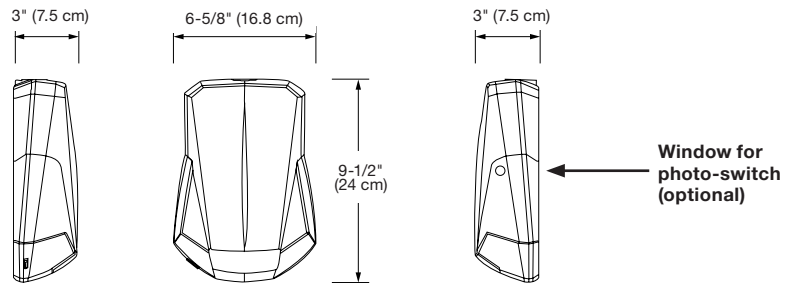
**NEMA-3R**

### Power consumption chart

Model	DC Specs				AC Specs
	Normal lighting		Emergency lighting		6-12V <sup>1</sup>
	Current (maximum)	Power (maximum)	Current (maximum)	Power (maximum)	Power (maximum)
AC, 2AC, ACDC, DC	0.12/0.08A	12W	0.11/0.08A	12W	8W
All above, -H	0.18/0.11A	18W	0.18/0.11A	18W	14W (VDC only)
ACSD, SD, SD-H	0.12/0.06A	12W	0.05/0.02A	5W	
SD-CW	–	–	0.15/0.07A	16W	N/A <sup>1</sup>
ACSD-CW-P, -FT		N/A <sup>1</sup>	0.22/0.10A	24W	

<sup>1</sup> Only unswitched AC input; normal lighting with photo-switch or remote control

**Dimensions** (Dimensions are approximate and subject to change)



**Photometric performance**

**Table A – Spacing for NFPA101 (average = 1FC) – Average of 1 foot-candle**

Model type	Mounting height	Lumen	Color temperature	Width X length (ft)	
				Single unit	Center-to-center
Standard	9'	400	5000K	6' X 50'	6' X 50'
With option -H	11'	550		6' X 60'	6' X 60'
With option -FT	12'	460			3' X 70'
With option -FTH	15'	640		6' X 40'	–
				6' X 50'	–

**Table B – Spacing for minimum illumination = 1FC – Minimum of 1 foot-candle**

Model type	Mounting height	Lumen	Color temperature	Width X length (ft)	
				Single unit	Center-to-center
Standard	9'	400	5000K	4' X 28'	6' X 32'
With option -H	11'	550		4' X 32'	6' X 40'
With option -FH	12'	460		4' X 22'	–
With option -FTH	15'	640		4' X 27'	–

**Indoor reflectance: 80/50/20 and 10-ft wide corridor. Outdoor reflectance: 0/30/10**

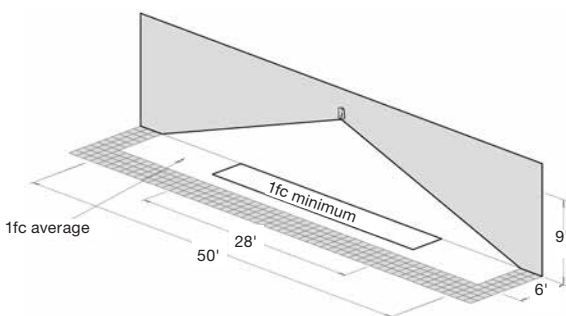
Note: The illumination level meets ALL the requirements of the Life Safety Code (NFPA 101):

- 1) Average of 1 foot-candle or more
- 2) Minimum at any point of 0.1 foot-candle or more
- 3) Maximum-to-minimum illumination uniformity ratio of 40:1 or less

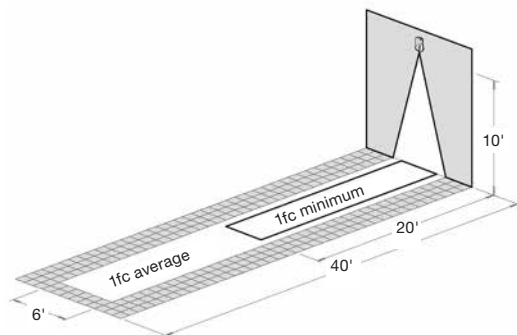
**Photometry performance**

Whether installed indoors or outdoors, with spacing measurements for a single unit or between two units center-to-center, the Camray® Series LED delivers a stable and consistent illumination making it easy to specify in a wide range of applications. The outstanding spacing of illumination ranges from 50 to 70 feet for standard units (wide beam) and from 40 to 50 feet with the forward-throw beam option.

**Photometry performance – Wide beam**



**Photometry performance – Forward throw**



**Ordering format – Battery unit**

Series	Model	Color	Options
<b>CAM=</b> Camray LED battery unit	<b>Nickel-Metal Hydride Battery Units (standard with Self-Diagnostics)</b>	<b>B=</b> Black <b>DB=</b> Dark bronze <b>OW=</b> Off white <b>PG=</b> Platinum gray	<b>-CW=</b> Cold weather (-40°F - 86°F) (-40°C - 30°C); not available with option -H <b>-FT=</b> Forward throw lighting <b>-H=</b> High lumen output (32... 86°F / 0... 30°C; model SD only)
	<b>SD=</b> Self-Powered & Self-Diagnostic (-4°F + 122°F) (-20°C + 50°C) <b>ACSD=</b> Dual-Mode AC/Self-Powered (-4°F + 104°F) (-20°C + 40°C)		<b>-P=</b> Photo-switch, (model models ACSD only) <b>-T3=</b> Time delay: 15 minutes (models ACSD, SD only) <b>-RC=</b> Remote control - infrared <sup>1</sup>

**Example: CAMSDOW-RC**

<sup>1</sup> For ACSD Model only, with -RC option, order the remote control keypad (TB-RC1-L) separately