

Saf-T-Ray™

SAF Series

Wall Mount Remote Fixture

Emergency Lighting at its Best



Saf-T-Ray™

SAF Series

Wall Mount Remote Fixture

The **Saf-T-Ray™** wall sconce unit was designed and engineered with durability and sophistication in mind. Its low-profile aesthetic design will provide an attractive alternative to the typical two-headed standard emergency lighting fixtures. The **Saf-T-Ray** is suitable for outdoor and indoor use, in a wide range of applications where aesthetics cannot be compromised.

Streamlined construction details on the cast aluminum housing emit soft rays of light in addition to emergency lighting of the path of egress. This two-lamp unit responds perfectly to the new Life Safety Code, requiring that the location of the path of egress inside a building be indicated on the exterior of the building.

Housing

The premium die-cast aluminum housing is designed to withstand extreme weather conditions and yet provide aesthetically pleasing looks with a compact footprint. Ideal for damp, wet and cold location specifications, **Saf-T-Ray** provides a fully gasketed cover with the option of vandal-resistant screws. This unique wall-sconce is available in three textured powder coat paint finishes; white, black and dark gray (optional finishes available for custom projects – consult the factory).

Diffuser

This specially manufactured polycarbonate diffuser maximizes light output, and completes the wall sconce decorative lines. **Saf-T-Ray's** robust polycarbonate lens is the ideal choice for applications where impact- and tamper- resistant emergency lighting is specified.

Lamp

Precise beam control is provided with two fully adjustable MR16 halogen lamps, secured in an attractive molded swivel assembly for maximum light output. **Saf-T-Ray** will provide an average of one-foot candle along the path of egress. **Saf-T-Ray** can also be used with the premium option of the high efficiency 3-Watt MR16 white LED lamp.

IES photometric data files are available.

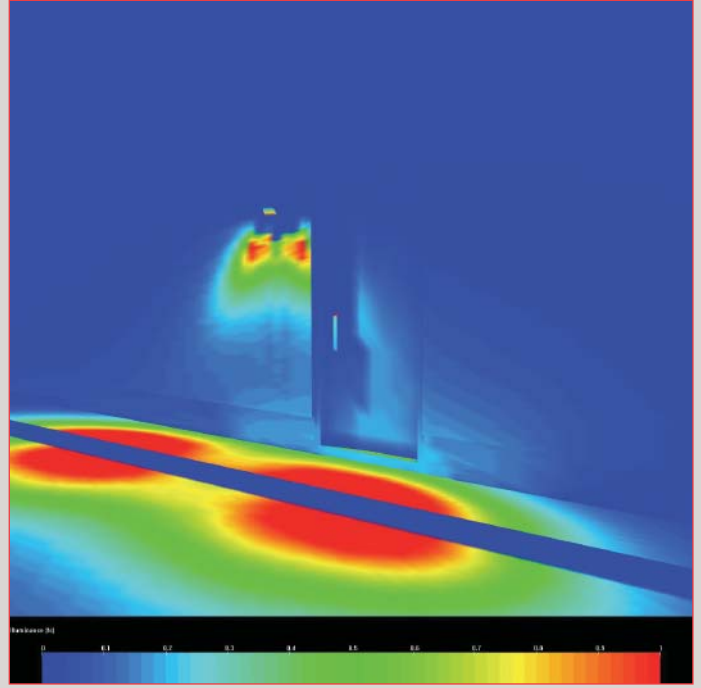




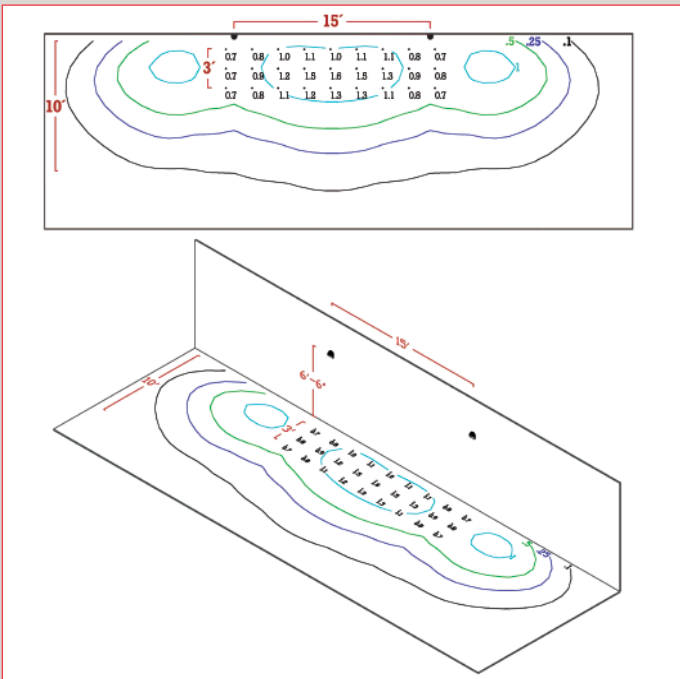
Photometrics



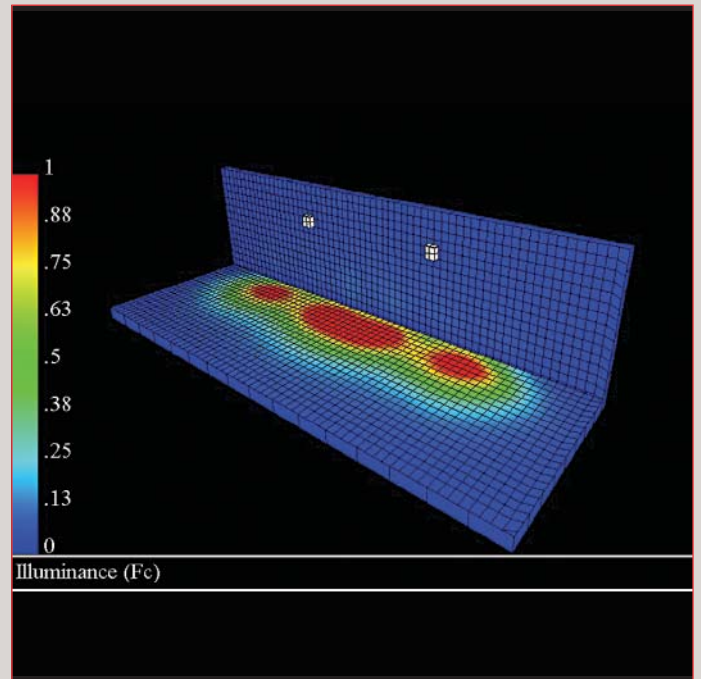
3D image lighting rendering of the **Saf-T-Ray** in the new exterior application standard.



3D light level colored scale of 0 to 1 foot-candle of **Saf-T-Ray** in the new exterior application standard.



ISO Curve on a point-by-point grid of 2 **Saf-T-Ray** luminaries.



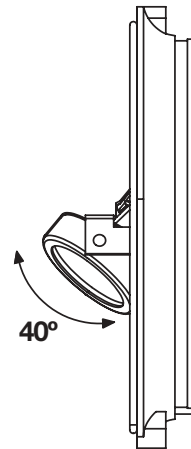
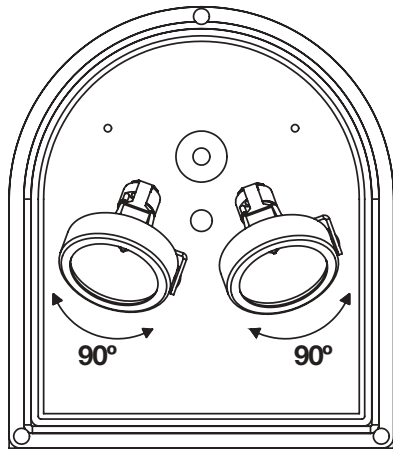
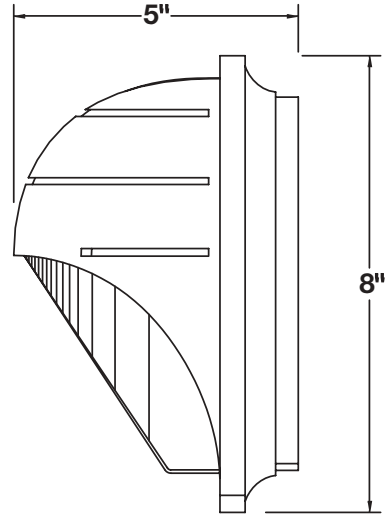
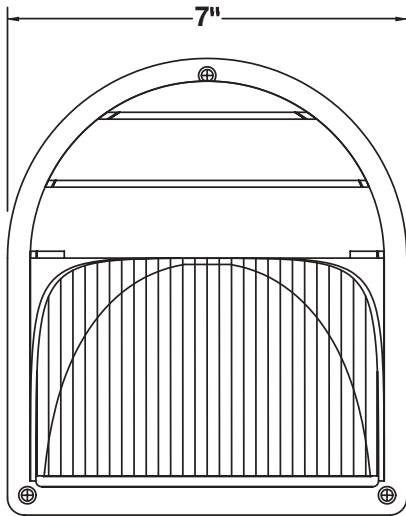
3D light level colored scale of 0 to 1 foot-candle of two **Saf-T-Ray** luminaries.

Saf-T-Ray™

SAF Series

Wall Mount Remote Fixture

Outline and Dimensions



Ordering information

Series	# of Lamps	Lamp Type/Wattage	Color	Voltage	Option
SAF = exterior remote	-2 = 2 lamps (standard) -1 = 1 lamp (AC only)	/L5 = LED - 5 watt (12V only) /M6 = MR16 - 6 watt (6V only) /M10 = MR16 - 10 watt (6V only) /M12 = MR16 - 12 watt (12V-24V only) /M20 = MR16 - 20 watt (12V-24V only) /AC = 1 med. base socket only (max. 60W), no lamp included, for non-emergency	-M = white -B = black -DG = dark gray	6 = 6V 12 = 12V 24 = 24V	VR = vandal-resistant screws

EXAMPLE: SAF-2/M6-M 6

